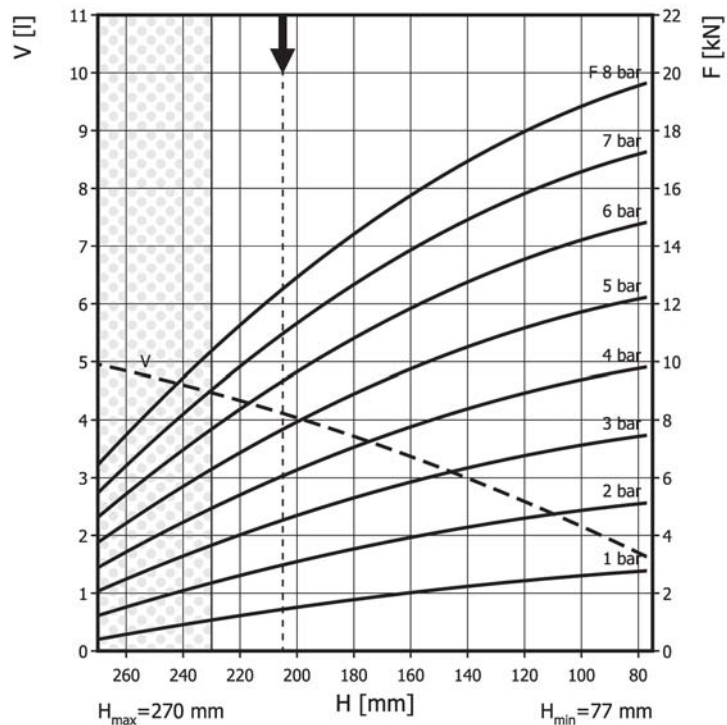
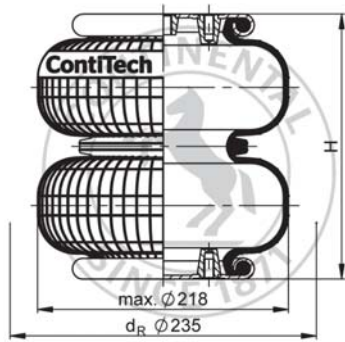


FD 120-20 CI ECO Double Convolution Air Actuator



Service instructions
 M8 (Aluminum): 12 Nm
 M8 (Steel): 25 Nm
 G3/4: 50 Nm

Use in dotted range >230 mm only after consultation with ContiTech

Recommended height for vibration isolation: 205 mm

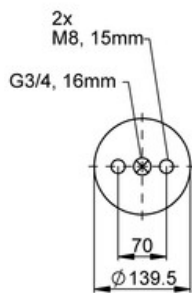
Purchase order data

Type	Order No.
ECO rubber bellows only	75781
with clamped plates, G3/4 air inlet 0 mm excentrical	63490

Technical data

Min. pressure	0 bar
Return force to min height	≤ 200 N
Overall weight with clamped plates	2.8 kg

Top Plate



Bottom Plate

