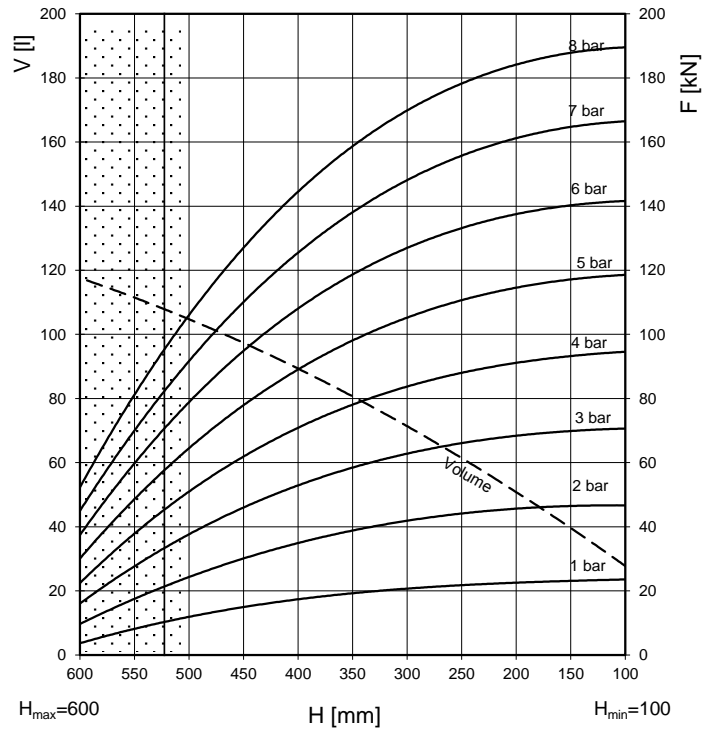
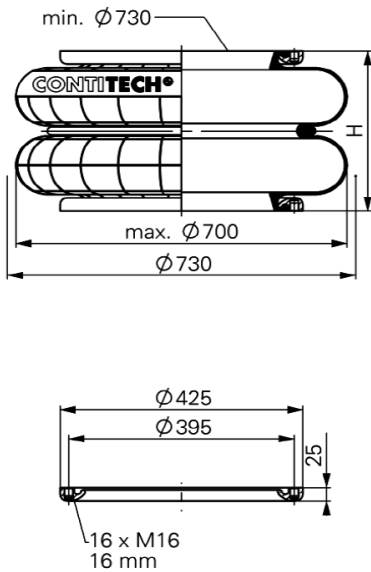


FD 1730-50 RI

Double Convolution Air Actuator



Use in dotted range >525 mm only after consultation with ContiTech

Purchase order data

Type	Order No.
Rubber bellows only	72367
with aluminium bead rings	on request

Additional types on request



Service instructions
M16: max. 70 Nm

Technical data

Min. pressure	0 bar
Return force to min height	≤ 750 N
Overall weight	15.5 kg

Pneumatic application – static characteristic values

Force F [kN]								
Pressure p [bar]		3	4	5	6	7	8	Vol. V [l]
Height H [mm]	450	46.0	61.8	77.7	94.1	110.4	126.8	98.4
	350	58.3	78.0	98.1	118.4	138.5	158.8	80.3
	250	66.9	88.8	110.7	133.4	155.9	178.6	60.9
	150	69.7	93.2	117.1	140.1	165.0	188.0	39.1