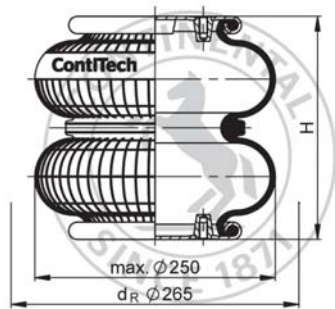
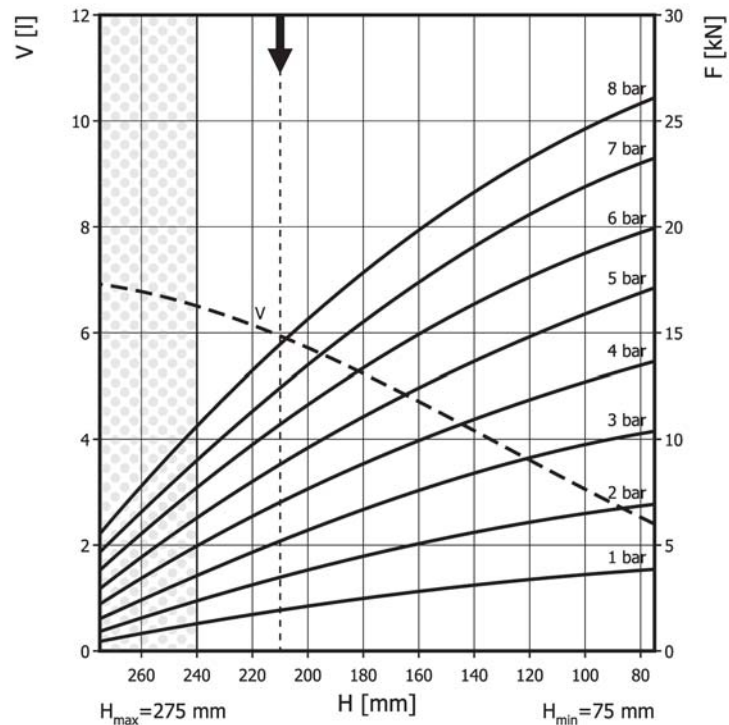


# FD 200-19 CI ECO Double Convolution Air Actuator



Service instructions  
 M8: 25 Nm  
 G1/4: 25 Nm  
 G3/4: 50 Nm



Use in dotted range >240 mm only after consultation with ContiTech

Recommended height for vibration isolation: 210 mm

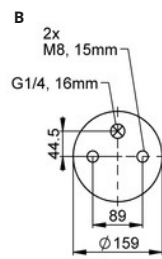
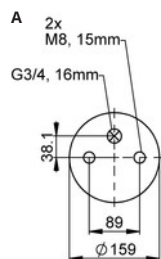
## Purchase order data

Type	Order No.		
ECO Rubber bellows	62178 & 75784		
only with clamped plates,	Top	Bottom	
G1/4 air inlet	62856	A	C
G3/4 air inlet	62296	B	C

## Technical data

Min. pressure	0 bar
Return force to min height	≤ 200 N
Overall weight with clamped plates	3.3 kg

### Top Plate



### Bottom Plate

