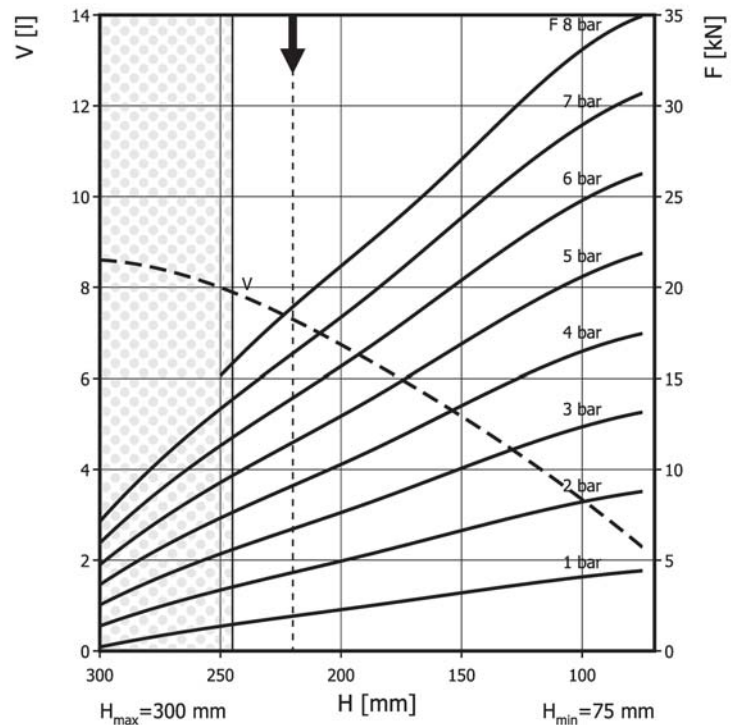
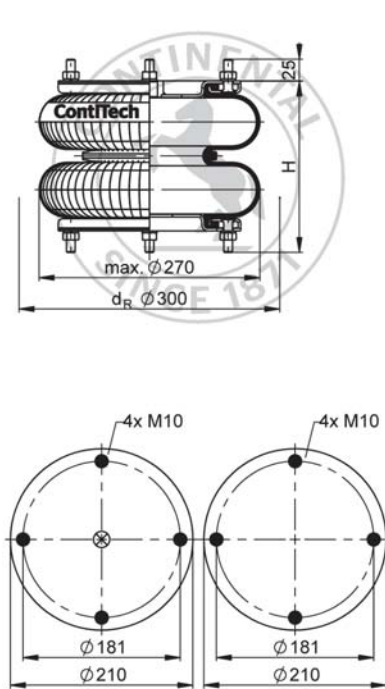


# FD 210-22 DS ECO Double Convolution Air Actuator



Use in dotted range >245 mm only after consultation with ContiTech



Recommended height for vibration isolation: 220 mm

## Purchase order data

Type	Order No.
ECO Rubber bellows only	75788
with dismountable plates, G1/2 air inlet	73872

Additional types on request

## Technical data

Min. pressure	0 bar
Return force to min height	≤ 220 N
Overall weight	4.7 kg

### Vibration isolation - dynamic characteristic values

Design height H: recommended 220mm, minimum 200mm

Pressure p [bar]	3	4	5	6	7	8	Vol. V [l]
Force (Load) [kN]	6.7	9.2	11.5	13.9	16.3	18.7	
Spring rate [N/mm]	100	123.5	148	171	194.5	218.5	
Natural frequency [Hz]	1.9	1.8	1.8	1.8	1.7	1.7	

### Pneumatic application - static characteristic values

Force F [kN]

Pressure p [bar]	3	4	5	6	7	8	Vol. V [l]	
Height H [mm]	250	5.28	7.22	9.16	11.2	13.2		15.1
	200	7.66	10.3	13	15.7	18.4	21.1	6.7
	150	9.98	13.4	16.7	20.2	23.6	27	5.2
	100	12.4	16.5	20.6	24.8	28.9	33	3.3



Service instructions  
M10: max. 25 Nm  
G1/2: max. 25 Nm