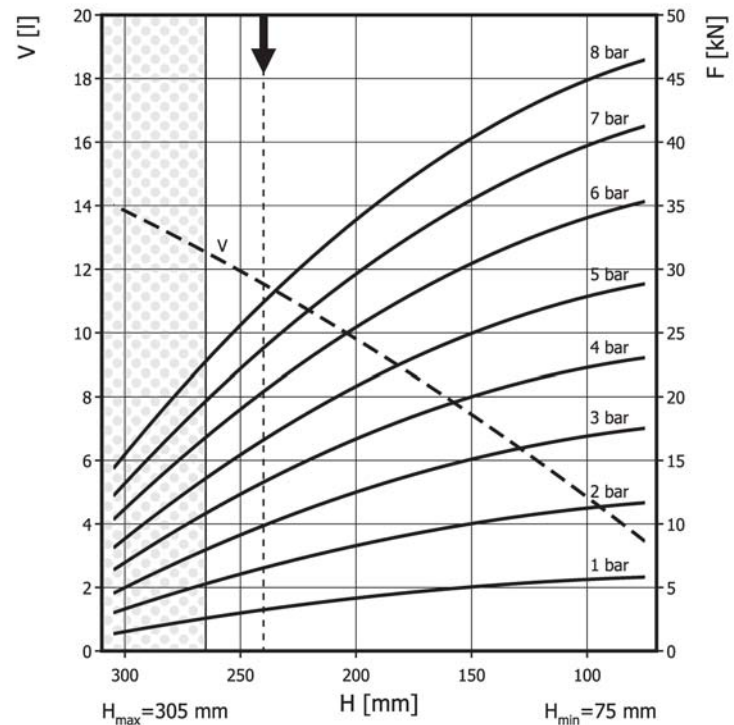
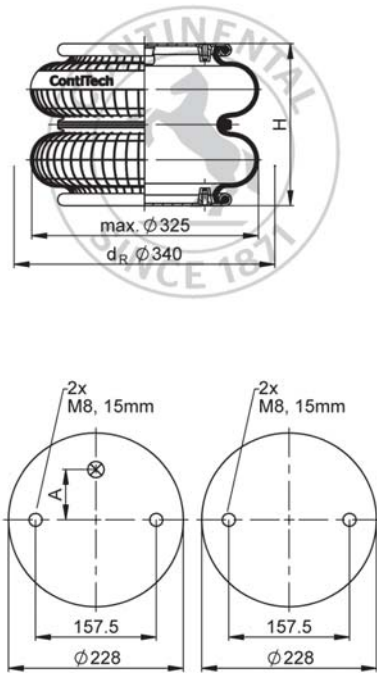


FD 330-22 CI

Double Convolution Air Actuator



Use in dotted range >265 mm only after consultation with ContiTech



Recommended height for vibration isolation: 240 mm

Purchase order data

| | |
|---|------------|
| Type | Order No. |
| Rubber bellows only | 74199 |
| Stainless steel with crimped plates, G1/4 air inlet (A) 73 mm excentrical | on request |
| Stainless steel with crimped plates, G3/4 air inlet (A) 73 mm excentrical | 73402 |
| with stainless steel crimped plates, G1 air inlet (A) 66 mm excentrical | 61959 |

Additional types on request


 Service instructions
 M8: max. 25 Nm
 G1/4: max. 25 Nm
 G1: max. 50 Nm
 G3/4: max. 50 Nm

Technical data

| | |
|----------------------------|---------|
| Min. pressure | 0 bar |
| Return force to min height | ≤ 300 N |
| Overall weight | 4.8 kg |

Vibration isolation - dynamic characteristic values

Design height H: recommended 240mm, minimum 220mm

| Pressure p [bar] | 3 | 4 | 5 | 6 | 7 | 8 | Vol. V [l] |
|------------------------|-----|------|------|------|------|------|------------|
| Force (Load) [kN] | 10 | 13.3 | 16.7 | 20.6 | 24.1 | 27.6 | |
| Spring rate [N/mm] | 159 | 190 | 221 | 252 | 283 | 314 | |
| Natural frequency [Hz] | 2.0 | 1.9 | 1.8 | 1.8 | 1.7 | 1.7 | |

Pneumatic application - static characteristic values

Force F [kN]

| Pressure p [bar] | 3 | 4 | 5 | 6 | 7 | 8 | Vol. V [l] | |
|------------------|-----|------|------|------|------|------|------------|------|
| Height H [mm] | 265 | 7.97 | 10.8 | 13.5 | 16.9 | 19.7 | | 22.7 |
| | 220 | 11.3 | 15.2 | 18.9 | 23.1 | 26.9 | 30.8 | 11 |
| | 180 | 13.6 | 18.2 | 22.7 | 27.5 | 32 | 36.5 | 8.8 |
| | 140 | 15.4 | 20.5 | 25.5 | 31.1 | 36.3 | 41.3 | 6.8 |
| | 100 | 16.8 | 22.1 | 27.8 | 34.1 | 39.8 | 45 | 4.8 |