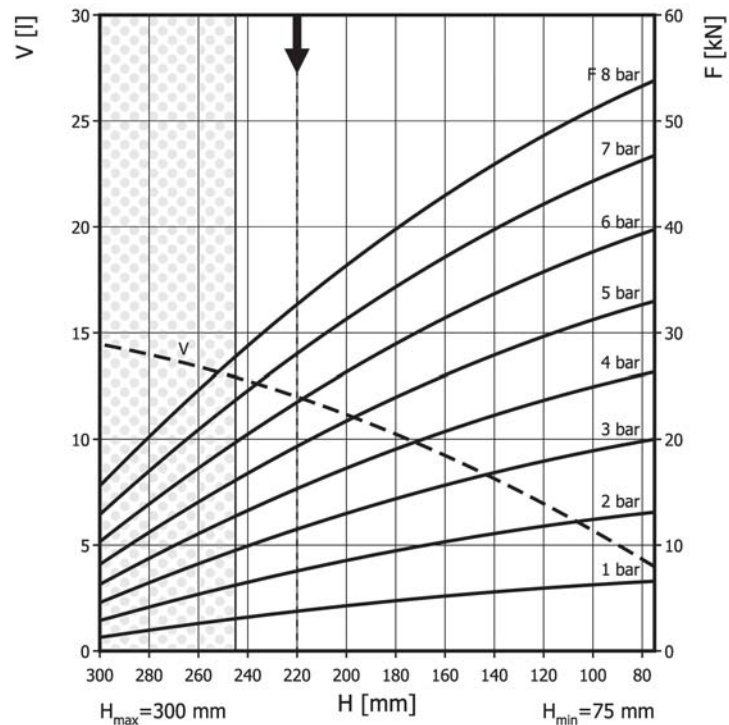
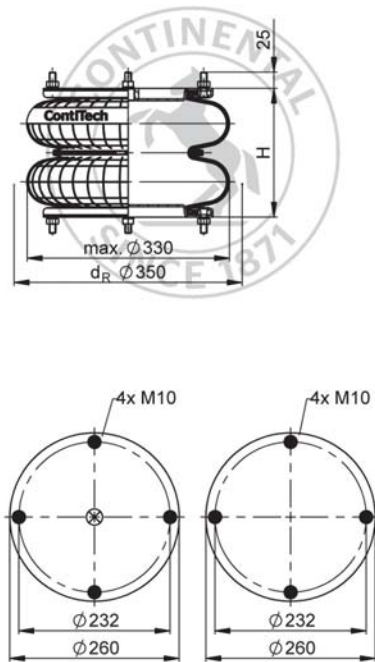


# FD 412-18 DS ECO Double Convolution Air Actuator



Use in dotted range >245 mm only after consultation with ContiTech



Recommended height for vibration isolation: 220 mm

## Purchase order data

Type	Order No.
ECO Rubber bellows only	75790
with dismantable plates, G1/2 air inlet	70350

Additional types on request



Service instructions  
M10: max. 25 Nm  
G1/2: max. 25 Nm

## Technical data

Min. pressure	0 bar
Return force to min height	≤ 250 N
Overall weight	6.6 kg

### Vibration isolation - dynamic characteristic values

Design height H: recommended 220mm, minimum 200mm

Pressure p [bar]	3	4	5	6	7	8	Vol. V [l]
Force (Load) [kN]	1.2	16.3	20.4	24.5	28.7	32.9	
Spring rate [N/mm]	155	200	244	286.5	331	374	
Natural frequency [Hz]	1.8	1.8	1.7	1.7	1.7	1.7	

### Pneumatic application - static characteristic values

Force F [kN]

Pressure p [bar]	3	4	5	6	7	8	Vol. V [l]	
Height H [mm]	250	9.38	12.5	15.8	19.4	23.2		27.2
	200	12.9	17.2	21.6	26.2	31.2	36.1	11
	150	15.9	21.1	26.5	32	37.9	44	8.5
	100	19.1	25.2	31.5	38	44.8	51.6	5.6