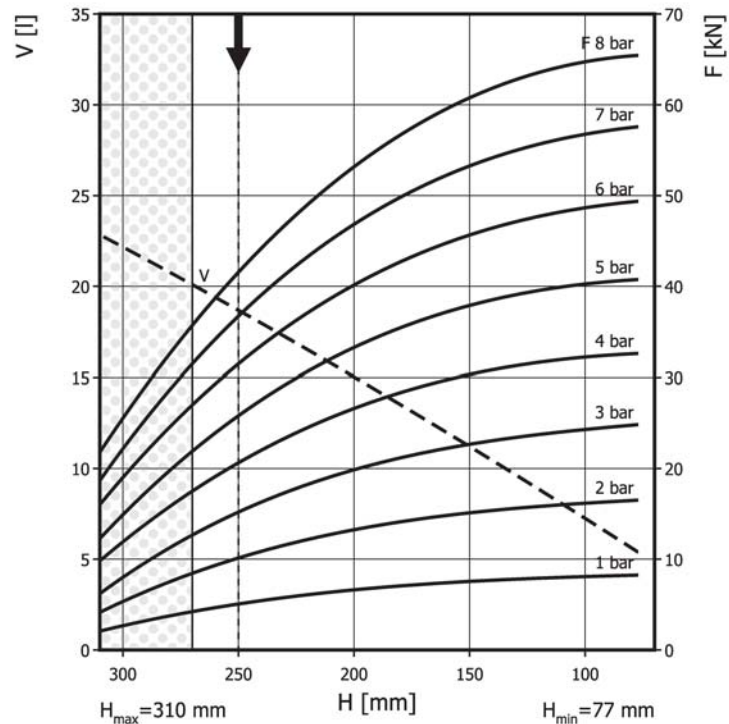
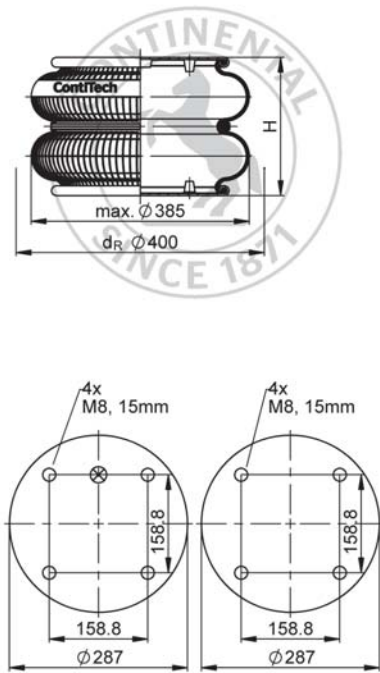


FD 530-22 CI ECO Double Convolution Air Actuator



Use in dotted range >270 mm only after consultation with ContiTech

Recommended height for vibration isolation: 250 mm

Purchase order data

Type	Order No.
ECO Rubber bellows only	75791
with crimped plates, G1/4 air inlet, 79.4 mm excentrical	on request
with crimped plates, G3/4 air inlet, 79.4 mm excentrical	on request
with crimped plates, G1 air inlet, 79.4 mm excentrical	on request

Additional types on request



Service instructions
 M8: max. 25 Nm
 G1/4: max. 25 Nm
 G1: max. 50 Nm
 G3/4: max. 50 Nm

Technical data

Min. pressure	0 bar
Return force to min height	≤ 400 N
Overall weight	6.9 kg

Vibration isolation - dynamic characteristic values

Design height H: recommended 250mm, minimum 225mm

Pressure p [bar]	3	4	5	6	7	8	Vol. V [l]
Force (Load) [kN]	15.2	20.7	25.8	31.5	36.8	42	19
Spring rate [N/mm]	222.5	286	349.5	413	476.5	540	
Natural frequency [Hz]	1.9	1.8	1.8	1.8	1.8	1.7	

Pneumatic application - static characteristic values

Force F [kN]								Vol. V [l]
Pressure p [bar]	3	4	5	6	7	8		
Height H [mm]	260	14.1	19.3	24.1	29.5	34.5	39.4	20
	220	18.2	24.4	30.5	37	43.2	49.1	17
	180	21	28.2	35.3	42.6	49.7	56.8	14
	140	23.1	31	38.7	46.5	54.3	61.9	11
	100	24.4	32.3	40.4	48.7	56.8	64.7	7.2