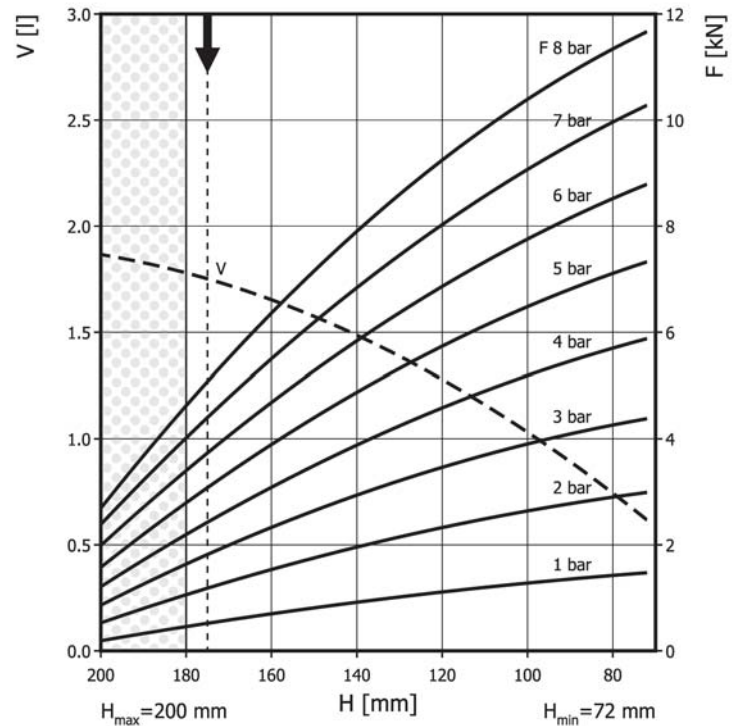
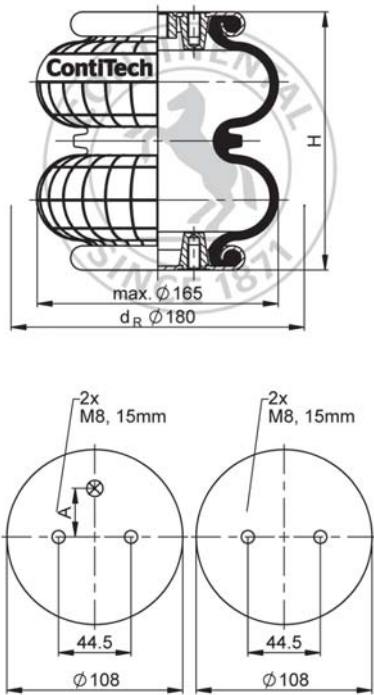


FD 70-13 CI

Double Convolution Air Actuator



Use in dotted range >180 mm only after consultation with ContiTech

Recommended height for vibration isolation: 175 mm

Purchase order data

Type	Order No.
Rubber bellows only	60513
with stainless steel crimped plates, G1/4 air inlet, 0 mm excentrical	61756

Additional types on request



Service instructions
M8: max. 25 Nm
G1/4: max. 25 Nm

Technical data

Min. pressure	0 bar
Return force to min height	≤ 200 N
Overall weight	1.5 kg

Vibration isolation - dynamic characteristic values

Design height H: recommended 175mm, minimum 160mm

Pressure p [bar]	3	4	5	6	7	8	Vol. V [l]
Force (Load) [kN]	1.9	2.5	3.2	3.8	4.5	5.2	1.8
Spring rate [N/mm]	46	59.5	73	86	99.5	112.5	
Natural frequency [Hz]	2.5	2.5	2.4	2.4	2.4	2.4	

Pneumatic application - static characteristic values

Force F [kN]

Pressure p [bar]	3	4	5	6	7	8	Vol. V [l]
Height H [mm]	180	160	140	120	100	80	1.8
	1.6	2.4	2.9	3.4	3.9	4.3	1.6
	2.3	3.15	3.88	4.5	5.23	5.7	1.5
	2.9	3.88	4.8	5.7	6.5	7.1	1.3
	3.4	4.5	5.7	6.8	7.8	8.5	1.1
	3.9	5.23	6.5	7.8	9.1	10	0.7