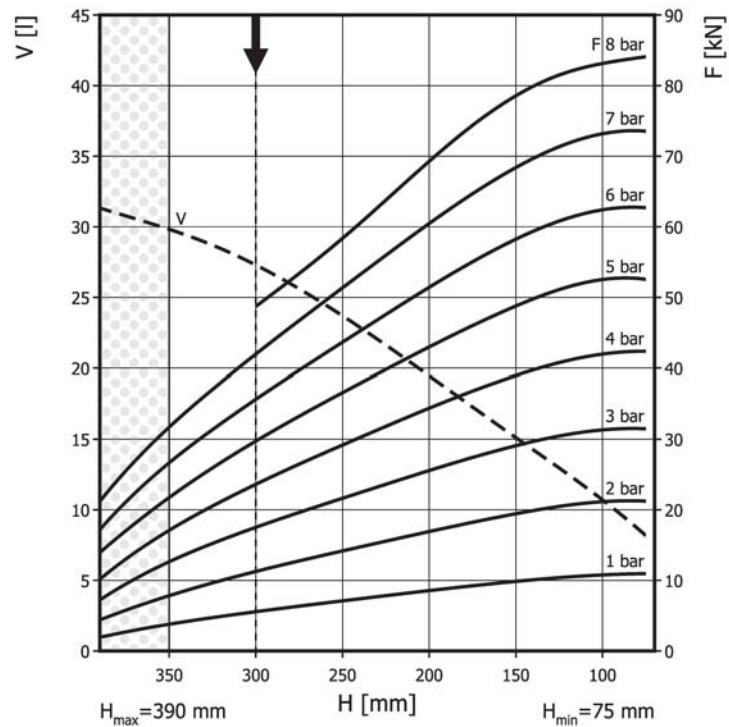
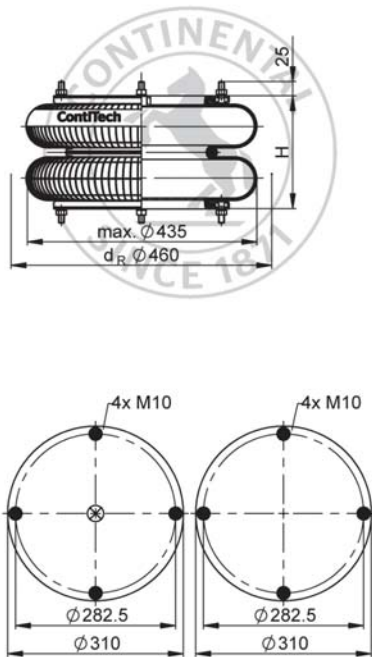


# FD 816-30 DS ECO Double Convolution Air Actuator



Use in dotted range >350 mm only after consultation with ContiTech



Recommended height for vibration isolation: 300 mm

## Purchase order data

Type	Order No.
ECO Rubber bellows only	75793
with dismountable plates, G1/2 air inlet	74457

Additional types on request



Service instructions  
M10: max. 25 Nm  
G1/2: max. 25 Nm

## Technical data

Min. pressure	0 bar
Return force to min height	≤ 250 N
Overall weight	8.8 kg

### Vibration isolation - dynamic characteristic values

Design height H: recommended 300mm, minimum 280mm

Pressure p [bar]	3	4	5	6	7	8	Vol. V [l]
Force (Load) [kN]	17.6	23.9	30	36	42.4	48.7	
Spring rate [N/mm]	171	216.5	264	310	356	401	
Natural frequency [Hz]	1.6	1.5	1.5	1.5	1.5	1.4	

### Pneumatic application - static characteristic values

Force F [kN]

Pressure p [bar]	3	4	5	6	7	8	Vol. V [l]
Height H [mm]	350	12.6	17	21.9	26.5	31.5	
	300	17.6	23.9	29.9	36	42.4	48.7
	250	21.5	28.9	36.2	43.3	51	58.4
	200	25.5	34.4	43	51.4	60.5	69.3
	150	29.2	39.2	49	58.5	68.7	78.5
	100	31.2	41.8	52.3	62.2	73	83.3