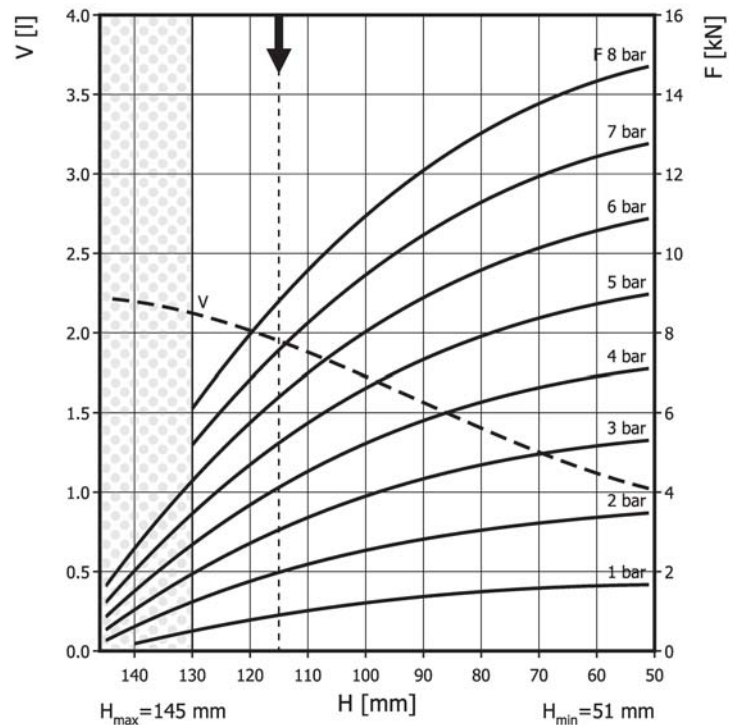
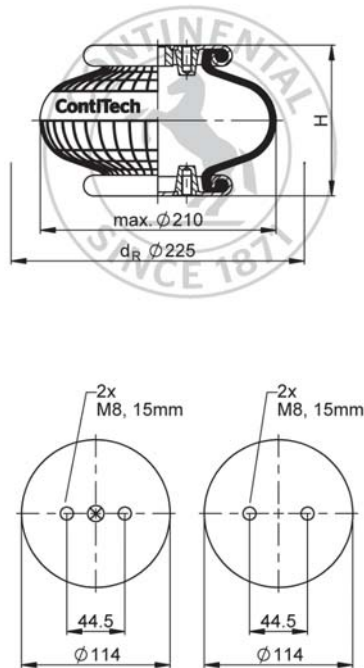


# FS 100-10 CI ECO Single Convolution Air Actuator



Use in dotted range >130 mm only after consultation with ContiTech



Recommended height for vibration isolation: 115 mm

## Purchase order data

Type	Order No.
ECO Rubber bellows only	75751
with crimped plates, G1/4 air inlet 0 mm excentric	on request

Additional types on request



Service instructions  
M8: max. 25 Nm  
G1/4: max. 25 Nm

## Technical data

Min. pressure	0 bar
Return force to min height	≤ 40 N
Overall weight	1.4 kg

### Vibration isolation - dynamic characteristic values

Design height H: recommended 115mm, minimum 100mm

Pressure p [bar]	3	4	5	6	7	8	Vol. V [l]
Force (Load) [kN]	3.1	4.3	5.4	6.5	7.6	8.8	
Spring rate [N/mm]	98.7	126.8	155.9	185.1	213.6	241.8	
Natural frequency [Hz]	2.8	2.7	2.7	2.7	2.6	2.6	

### Pneumatic application - static characteristic values

Force F [kN]

Pressure p [bar]	3	4	5	6	7	8	Vol. V [l]
Height H [mm]	130	1.96	2.69	3.48	4.3	5.18	
	110	3.35	4.51	5.73	6.98	8.25	1.9
	90	4.31	5.77	7.29	8.85	10.4	1.6
	70	4.97	6.64	8.38	10.2	11.9	1.3