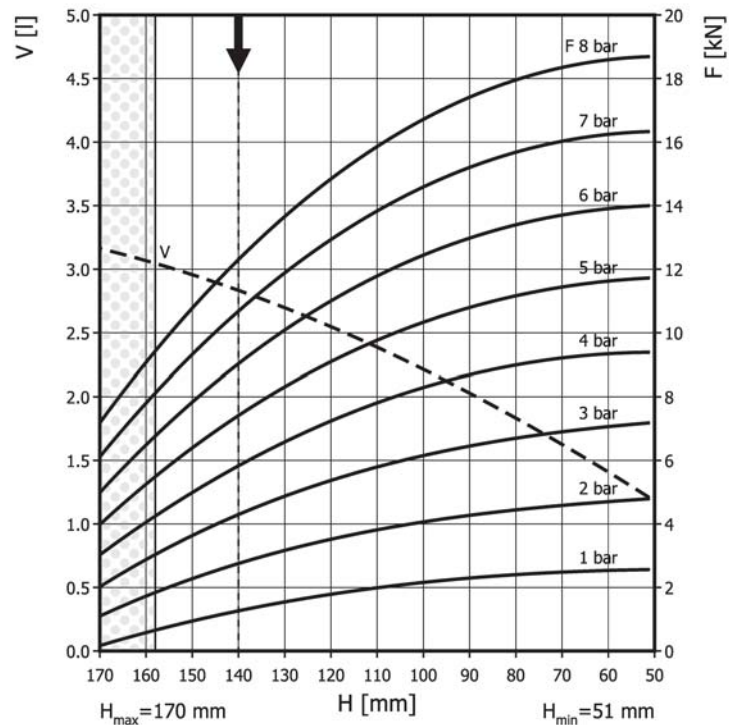
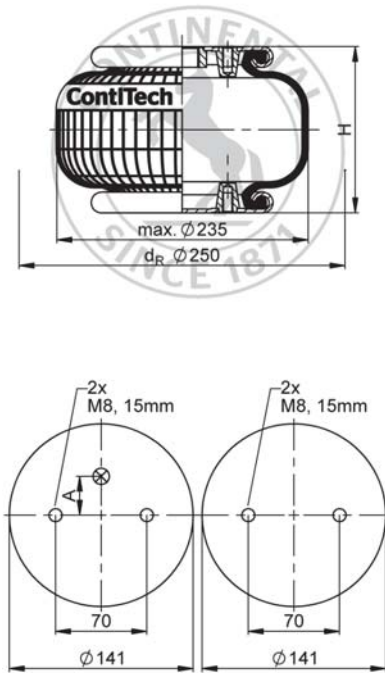


FS 120-12 CI

Single Convolution Air Actuator



Use in dotted range >158 mm only after consultation with ContiTech



Recommended height for vibration isolation: 140 mm

Purchase order data

Type	Order No.
Rubber bellows only	on request
with stainless steel crimped plates, G3/4 air inlet 0 mm excentrical	69194

Additional types on request


 Service instructions
 M8: max. 25 Nm
 G1/4: max. 25 Nm
 G3/4: max. 50 Nm

Technical data

Min. pressure	0 bar
Return force to min height	≤ 200 N
Overall weight	2.1 kg

Vibration isolation - dynamic characteristic values

Design height H: recommended 140mm, minimum 125mm

Pressure p [bar]	3	4	5	6	7	8	Vol. V [l]
Force (Load) [kN]	4.2	5.8	7.3	8.9	10.4	12	
Spring rate [N/mm]	116	145	173	202	230	258	
Natural frequency [Hz]	2.6	2.5	2.4	2.4	2.4	2.3	

Pneumatic application - static characteristic values

Force F [kN]

Pressure p [bar]	3	4	5	6	7	8	Vol. V [l]	
Height H [mm]	150	3.68	5.08	6.42	7.89	9.35		10.8
	130	4.9	6.6	8.3	10.1	11.9	13.7	2.7
	110	5.8	7.75	9.8	11.8	13.8	15.9	2.4
	90	6.5	8.8	10.8	13	15.2	17.4	2
	70	6.9	9.2	11.4	13.7	16	18.3	1.6