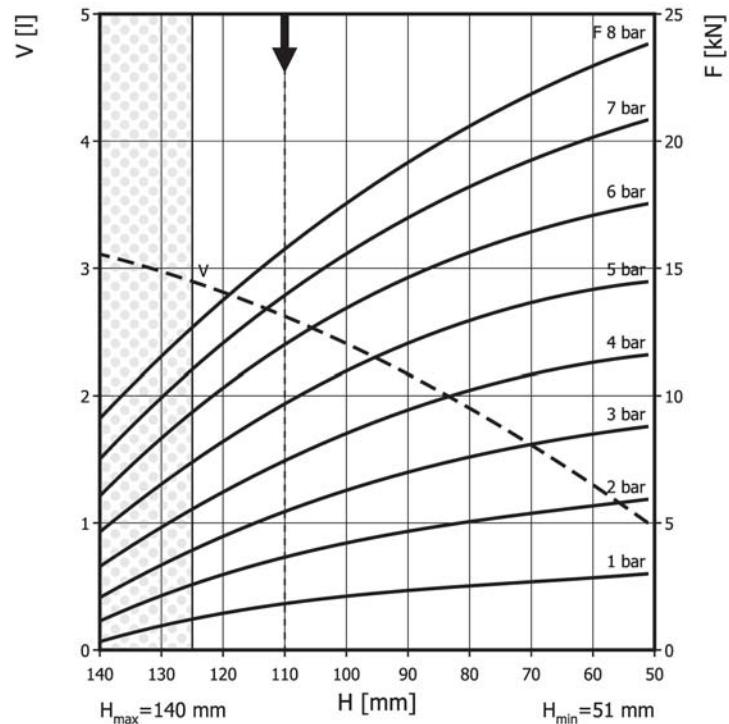
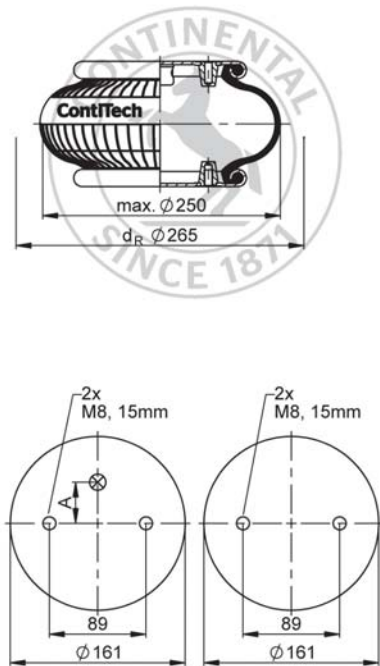


# FS 200-10 CI ECO Single Convolution Air Actuator



Use in dotted range >125 mm only after consultation with ContiTech



Recommended height for vibration isolation: 110 mm

## Purchase order data

Type	Order No.
ECO Rubber bellows only	75769
with crimped plates, G1/4 air inlet (A) 44.5 mm excentrical	on request
with crimped plates and bumper (A) 44.5 mm excentrical	on request
with crimped plates, G3/4 air inlet (A) 38.1 mm excentrical	on request
with stainless steel crimped plates, G3/4 air inlet (A) 38.1 mm excentrical	70584

Additional types on request



Service instructions  
M8: max. 25 Nm  
G1/4: max. 25 Nm  
G3/4: max. 50 Nm

## Technical data

Min. pressure	0 bar
Return force to min height	≤ 200 N
Overall weight	2.3 kg

### Vibration isolation - dynamic characteristic values

Design height H: recommended 110mm, minimum 90mm

Pressure p [bar]	3	4	5	6	7	8	Vol. V [l]
Force (Load) [kN]	5.5	7.5	9.6	11.9	14	15.7	
Spring rate [N/mm]	150	205	260	315	370	425	
Natural frequency [Hz]	2.6	2.6	2.6	2.6	2.6	2.6	

### Pneumatic application - static characteristic values

Force F [kN]

Pressure p [bar]	3	4	5	6	7	8	Vol. V [l]	
Height H [mm]	120	4.48	6.23	8.21	10.4	12.1		13.8
	110	5.46	7.47	9.63	11.9	13.9	15.7	
	100	6.33	8.55	11	13.4	15.5	17.5	
	90	7	9.41	12.1	14.6	17	19.1	
	80	7.55	10.2	13	15.7	18.2	20.6	
	70	8.09	10.9	13.6	16.5	19.3	21.9	
	60	8.5	11.3	14.2	17.1	20.1	23	
							1.3	