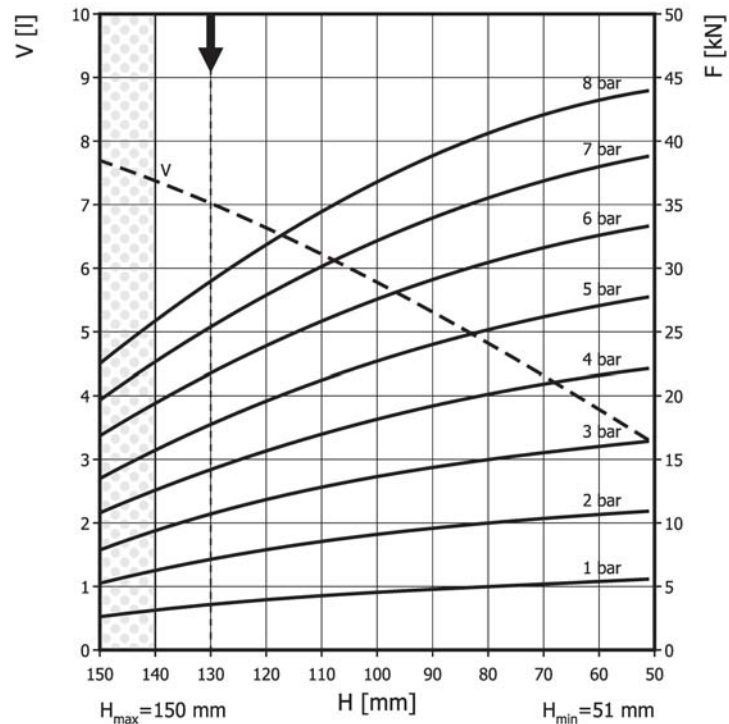
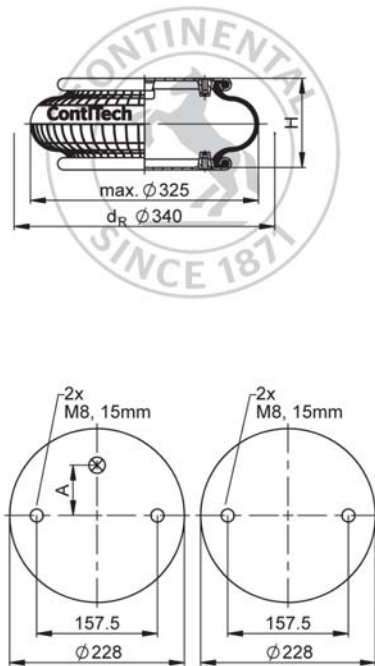


FS 330-11 CI

Single Convolution Air Actuator



Use in dotted range >140 mm only after consultation with ContiTech



Recommended height for vibration isolation: 130 mm

Purchase order data

Type	Order No.
Rubber bellows only	72539
with stainless steel crimped plates, G3/4 air inlet (A) 73 mm excentrical	69583

Additional types on request



Service instructions
 M8: max. 25 Nm
 G1/4: max. 25 Nm
 G1: max. 50 Nm
 G3/4: max. 50 Nm

Technical data

Min. pressure	0 bar
Return force to min height	≤ 300 N
Overall weight	4.1 kg

Vibration isolation - dynamic characteristic values

Design height H: recommended 130mm, minimum 100mm

Pressure p [bar]	3	4	5	6	7	8	Vol. V [l]
Force (Load) [kN]	10.7	14.2	17.8	21.8	25.4	29	7
Spring rate [N/mm]	264.5	329	393.5	458	522.5	587	
Natural frequency [Hz]	2.5	2.4	2.4	2.3	2.3	2.3	

Pneumatic application - static characteristic values

Force F [kN]

Pressure p [bar]	3	4	5	6	7	8	Vol. V [l]	
Height H [mm]	140	9.46	12.7	15.8	19.5	22.8	26	7.4
	120	11.9	15.7	19.6	23.8	27.8	31.8	6.7
	100	13.6	18.1	22.7	27.6	32.1	36.7	5.8
	80	15	20.1	25.2	30.4	35.5	40.6	4.8
	60	16	21.6	27.1	32.6	38	43.3	3.8