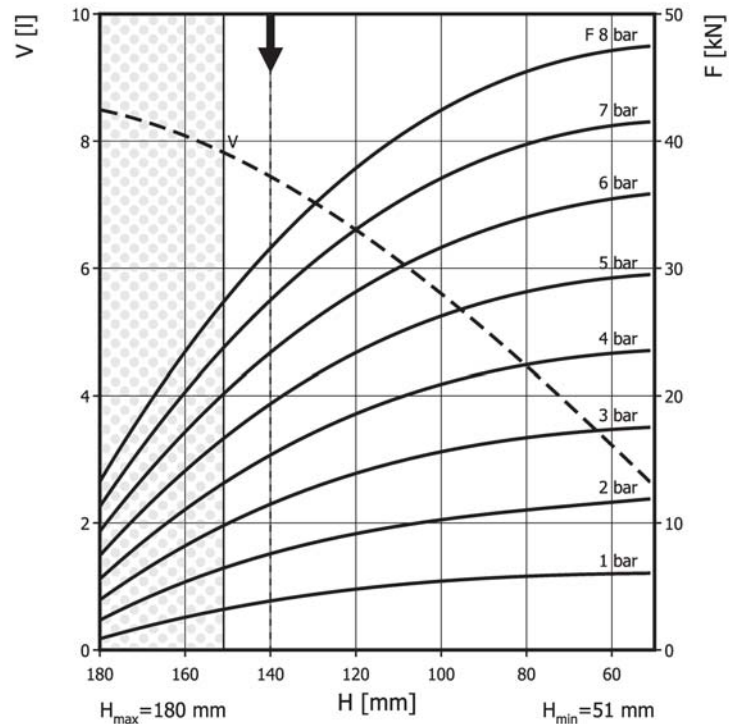
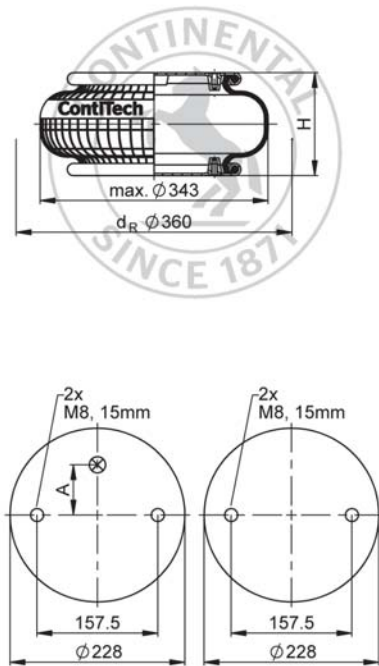


FS 330-14 CI ECO Single Convolution Air Actuator



Use in dotted range >151 mm only after consultation with ContiTech



Recommended height for vibration isolation: 140 mm

Purchase order data

Type	Order No.
ECO Rubber bellows only	65867/75773
with crimped plates, G1/4 air inlet (A) 73 mm excentrical	on request
with crimped plates and bumper (A) 73 mm excentrical	on request
with crimped plates, G3/4 air inlet (A) 73 mm excentrical	on request
with crimped plates (A) 66 mm excentrical	on request

Additional types on request



Service instructions
 M8: max. 25 Nm
 G1/4: max. 25 Nm
 G3/4: max. 50 Nm

Technical data

Min. pressure	0 bar
Return force to min height	≤ 300 N
Overall weight	4.3 kg

Vibration isolation - dynamic characteristic values

Design height H: recommended 140mm, minimum 120mm

Pressure p [bar]	3	4	5	6	7	8	Vol. V [l]
Force (Load) [kN]	11.6	15.5	19.5	23.4	27.4	31.2	
Spring rate [N/mm]	261	332.2	409.4	486.5	567.8	637.6	
Natural frequency [Hz]	2.4	2.3	2.3	2.3	2.3	2.2	

Pneumatic application - static characteristic values

Force F [kN]

Pressure p [bar]	3	4	5	6	7	8	Vol. V [l]
Height H [mm]	151	10	13.3	16.8	20.3	24	
	130	12.6	17	21.4	26	30.2	7
	110	14.8	19.8	25	30	35.2	6.1
	90	16.2	21.8	27.4	33	38.6	5
	70	17.2	23	28.8	34.9	40.6	3.9