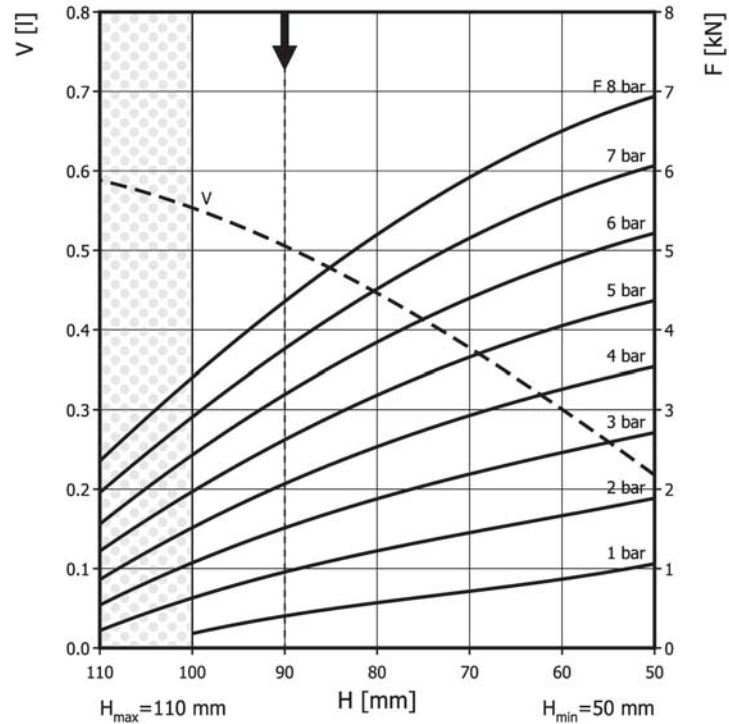
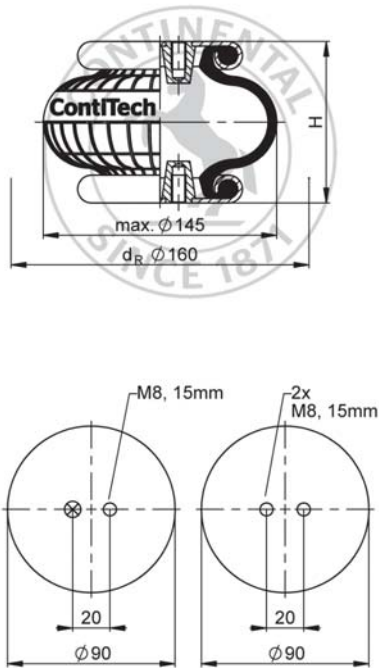


FS 40-6 CI

Single Convolution Air Actuator



Use in dotted range >100 mm only after consultation with ContiTech



Recommended height for vibration isolation: 90 mm

Purchase order data

Type	Order No.
Rubber bellows only	72467
with stainless steel crimped plates, G1/8 air inlet 10 mm excentrical	61744

Additional types on request


 Service instructions
 M8: max. 25 Nm
 G1/8: max. 25 Nm

Technical data

Min. pressure	0 bar
Return force to min height	≤ 120 N
Overall weight	1.2 kg

Vibration isolation - dynamic characteristic values

Design height H: recommended 90mm, minimum 70mm

Pressure p [bar]	3	4	5	6	7	8	Vol. V [l]
Force (Load) [kN]	1.5	2.1	2.6	3.2	3.8	4.4	
Spring rate [N/mm]	79	96.5	115	132.5	150.5	168.5	
Natural frequency [Hz]	3.6	3.4	3.3	3.2	3.1	3.1	

Pneumatic application - static characteristic values

Force F [kN]

Pressure p [bar]	3	4	5	6	7	8	Vol. V [l]
Height H [mm]	1.07	1.52	1.97	2.43	2.9	3.39	
	1.5	2.06	2.62	3.19	3.76	4.36	0.51
	1.88	2.54	3.19	3.85	4.52	5.21	0.45
	2.2	2.94	3.67	4.41	5.16	5.92	0.38
	2.45	3.25	4.04	4.84	5.66	6.49	0.3