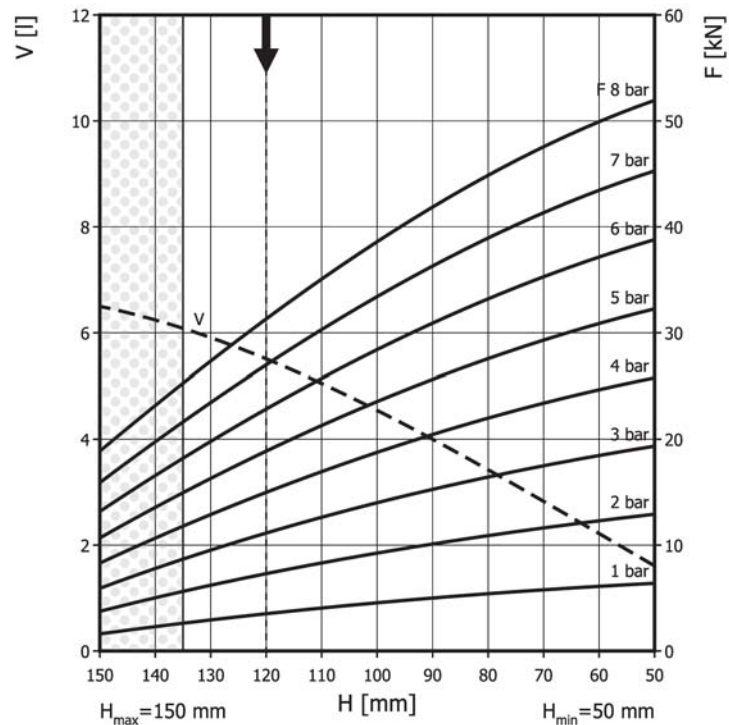
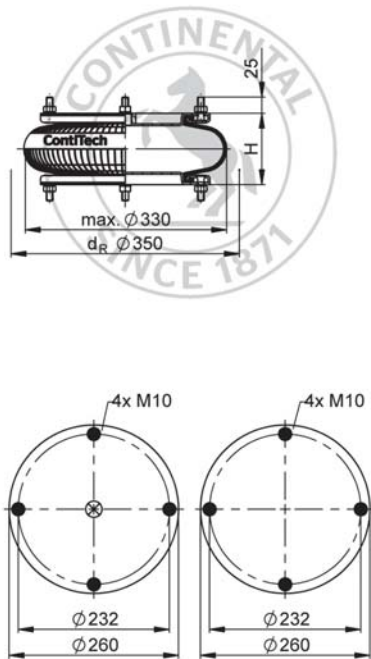


# FS 412-10 DS ECO Single Convolution Air Actuator



Use in dotted range >135 mm only after consultation with ContiTech

Recommended height for vibration isolation: 120 mm

## Purchase order data

Type	Order No.
ECO Rubber bellows only	75774
with dismountable plates, G1/2 air inlet	on request

Additional types on request



Service instructions  
M10: max. 25 Nm  
G1/2: max. 25 Nm

## Technical data

Min. pressure	0 bar
Return force to min height	≤ 200 N
Overall weight	5.44 kg

### Vibration isolation - dynamic characteristic values

Design height H: recommended 120mm, minimum 100mm

Pressure p [bar]	3	4	5	6	7	8	Vol. V [l]
Force (Load) [kN]	11.4	15.3	19.2	23.2	27.1	31.1	
Spring rate [N/mm]	290	372	451	531	612	689	
Natural frequency [Hz]	2.5	2.5	2.4	2.4	2.4	2.4	

### Pneumatic application - static characteristic values

Force F [kN]

Pressure p [bar]	3	4	5	6	7	8	Vol. V [l]	
Height H [mm]	120	11.2	15.1	18.9	22.9	27		31.4
	100	13.9	18.5	23.4	28.1	33.1	38.3	4.6
	80	16.5	22.1	27.6	33.4	39.1	45	3.4
	60	18.5	24.8	31	37.2	43.6	50	2.2