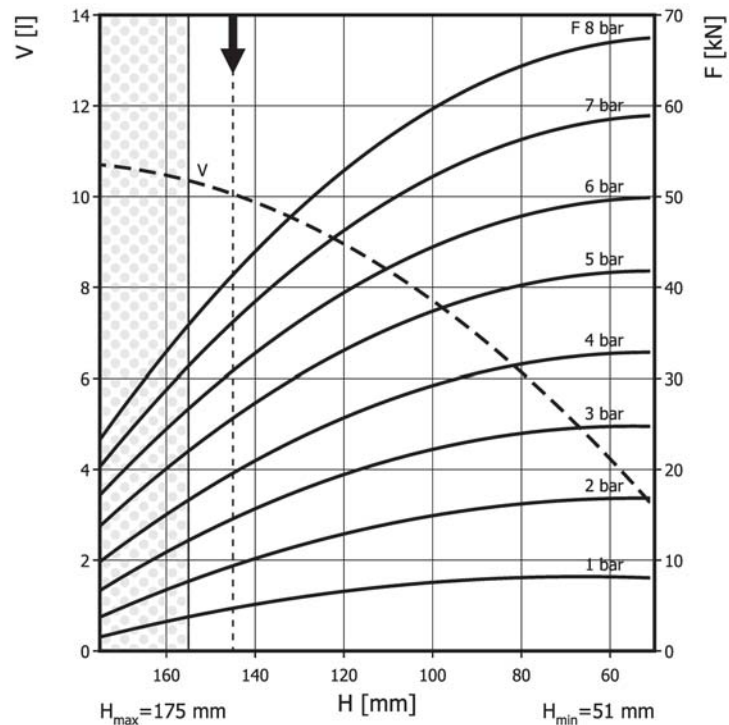
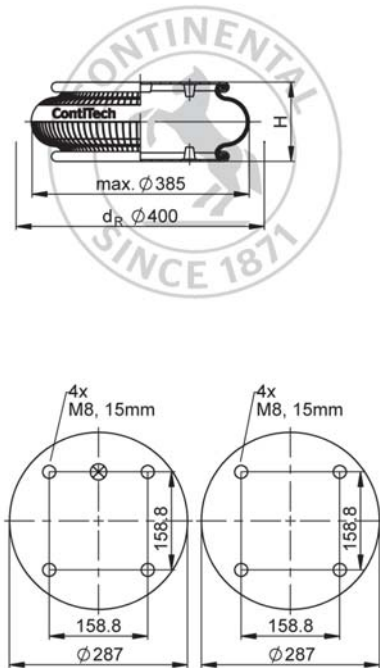


# FS 530-11 CI ECO Single Convolution Air Actuator



Use in dotted range >155 mm only after consultation with ContiTech

Recommended height for vibration isolation: 145 mm

## Purchase order data

Type	Order No.
ECO Rubber bellows only	75775
with crimped plates, G1/4 air inlet 79.4 mm excentrical	74228
with crimped plates, G3/4 air inlet 79.4 mm excentrical	on request
with crimped plates, G1 air inlet 79.4 mm excentrical	66387

Additional types on request



Service instructions  
 M8: max. 25 Nm  
 G1/4: max. 25 Nm  
 G1: max. 50 Nm  
 G3/4: max. 50 Nm

## Technical data

Min. pressure	0 bar
Return force to min height	≤ 300 N
Overall weight	5.9 kg

### Vibration isolation - dynamic characteristic values

Design height H: recommended 145mm, minimum 110mm

Pressure p [bar]	3	4	5	6	7	8	Vol. V [l]
Force (Load) [kN]	15.2	20.1	26.5	31.6	36.9	42.2	
Spring rate [N/mm]	397	500	608	710	813	915	
Natural frequency [Hz]	2.6	2.5	2.4	2.4	2.3	2.3	

### Pneumatic application - static characteristic values

Pressure p [bar]	3	4	5	6	7	8	Vol. V [l]	
Force F [kN]	15.2	20.1	26.5	31.6	36.9	42.2		10
Height H [mm]	150	143	19	25	30	35	40	
	130	17.8	23.7	30.5	36.3	42.7	49.1	
	110	20.6	27.4	34.8	41.6	49	56	
	90	22.8	30	38.1	46	53.9	61.6	
	70	24.3	32	41.2	48.8	57.4	65.5	