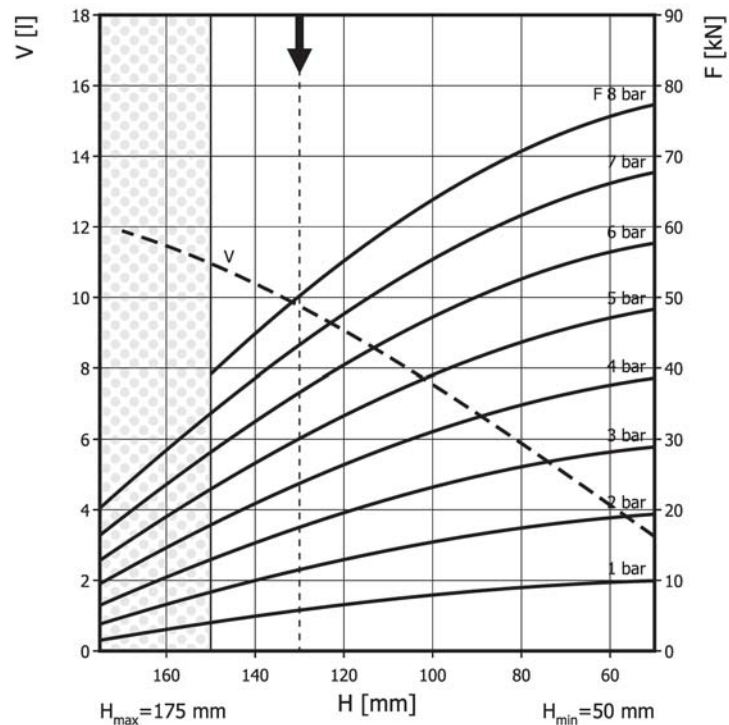
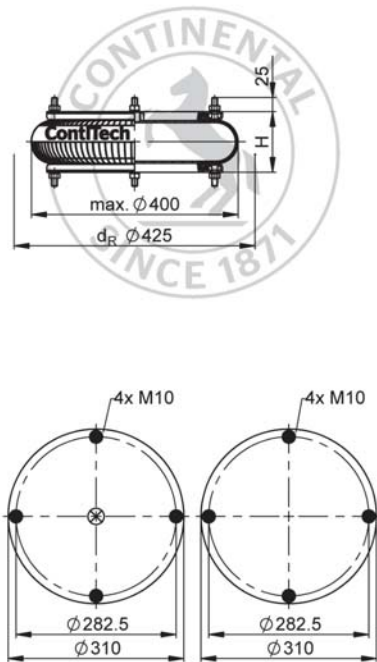


FS 614-13 DS ECO Single Convolution Air Actuator



Use in dotted range >150 mm only after consultation with ContiTech



Recommended height for vibration isolation: 130 mm

Purchase order data

Type	Order No.
ECO Rubber bellows only	75776
with dismountable plates, G1/2 air inlet	on request

Additional types on request



Service instructions
M10: max. 25 Nm
G1/2: max. 25 Nm

Technical data

Min. pressure	0 bar
Return force to min height	≤ 230 N
Overall weight	7.1 kg

Vibration isolation - dynamic characteristic values

Design height H: recommended 130mm, minimum 110mm

Pressure p [bar]	3	4	5	6	7	8	Vol. V [l]
Force (Load) [kN]	17.5	23.7	30.1	36.6	43.3	50.2	
Spring rate [N/mm]	428.5	558	684.5	804	922	1039	
Natural frequency [Hz]	2.5	2.4	2.4	2.4	2.3	2.3	

Pneumatic application - static characteristic values

Force F [kN]

Pressure p [bar]	3	4	5	6	7	8	Vol. V [l]
Height H [mm]	12.9	17.8	22.8	28.1	33.5	39.2	
	130	17.5	23.7	30.1	36.6	43.3	
	100	23.2	31.1	39	47.2	55.4	
	80	26.2	34.9	43.8	52.7	61.7	
	60	28.2	37.5	46.9	56.4	65.9	