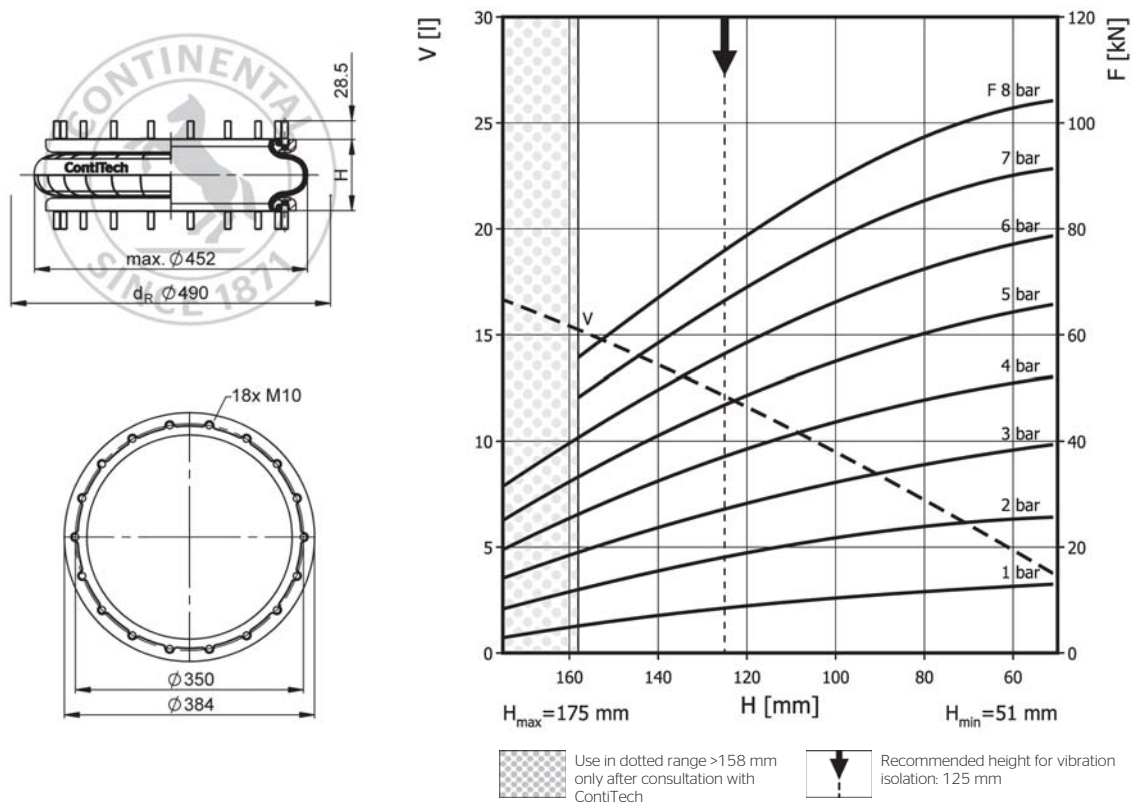


FS 960-12 RS ECO Single Convolution Air Actuator



Purchase order data

Type	Order No.
ECO Rubber bellows only	75777
with Phoenix beadings	on request

Additional types on request


 Service instructions
 M10: max. 40 Nm

Technical data

Min. pressure	0 bar
Return force to min height	≤ 400 N
Overall weight	5 kg

Vibration isolation - dynamic characteristic values

Design height H: recommended 125mm, minimum 110mm

Pressure p [bar]	3	4	5	6	7	8	Vol. V [l]
Force (Load) [kN]	28.7	38.8	49	58.7	68.4	78.1	
Spring rate [N/mm]	595	767	924	1100	1276	1453	
Natural frequency [Hz]	2.3	2.2	2.2	2.2	2.2	2.1	

Pneumatic application - static characteristic values

Force F [kN]

Pressure p [bar]	3	4	5	6	7	8	Vol. V [l]	
Height H [mm]	158	19.1	26.3	33.4	40.9	48		55.4
	130	25.8	35.8	45.1	54.3	63.9	73.4	13
	110	30	41.2	51.7	62.3	73.5	83.5	11
	90	33.9	45.8	57.7	69.6	82.1	93.6	8.3
	70	37.6	49.6	62.8	75.3	88.2	101	6