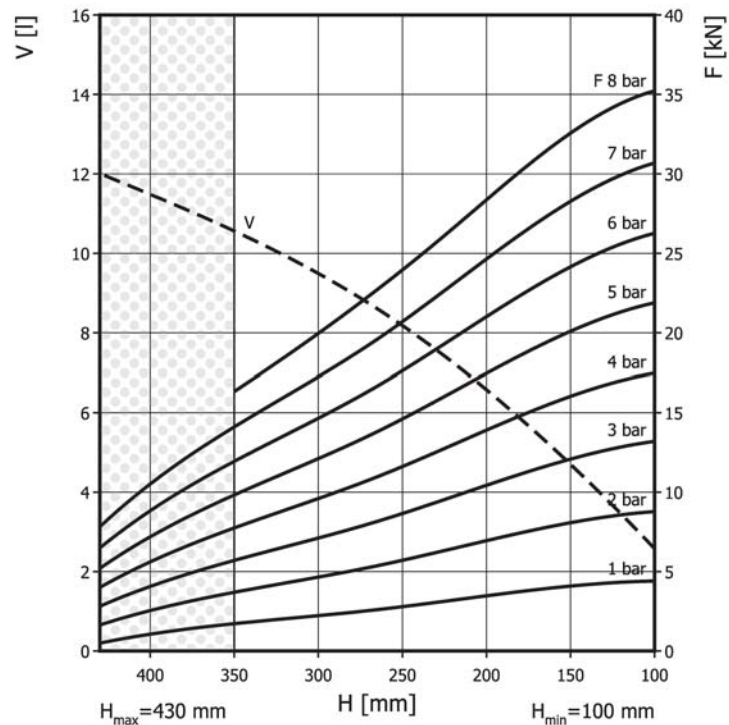
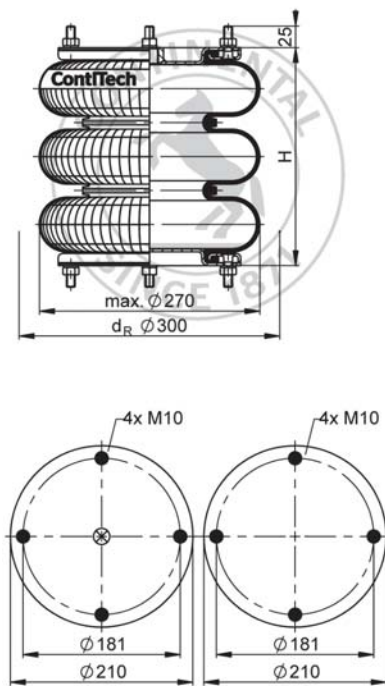


FT 210-32 DS ECO Triple Convolution Air Actuator



Use in dotted range >350 mm only after consultation with ContiTech

Purchase order data

Type	Order No.
ECO Rubber bellows only	75795
with dismountable plates, G1/2 air inlet	on request

Additional types on request



Service instructions
M10: max. 25 Nm
G1/2: max. 25 Nm

Technical data

Min. pressure	0 bar
Return force to min height	≤ 250 N
Overall weight	5.2 kg

Pneumatic application - static characteristic values

Force F [kN]								
Pressure p [bar]	3	4	5	6	7	8	Vol. V [l]	
Height H [mm]	350	5.62	7.66	9.75	11.8	14	16.3	11
	300	7.1	9.56	12	14.5	17.1	19.8	9.5
	250	8.62	11.6	14.6	17.6	20.7	24	8.2
	200	10.3	13.8	17.3	20.8	24.4	28.3	6.6
	150	12.1	16.1	20.1	24.2	28.3	32.6	4.7