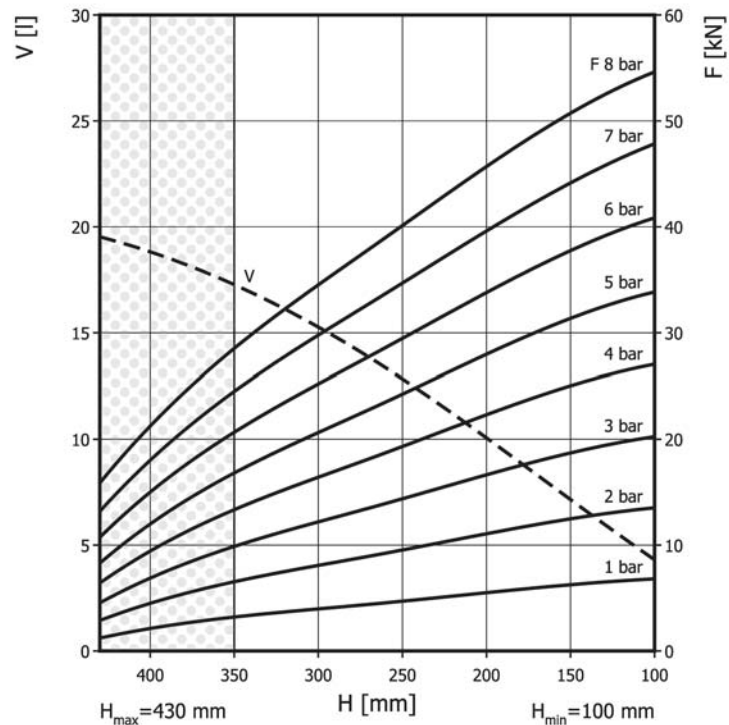
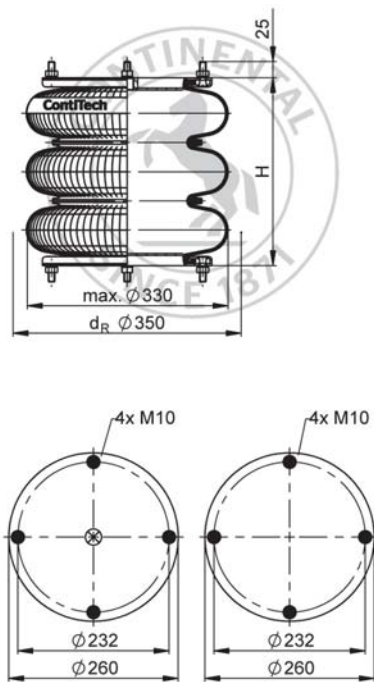


# FT 412-32 DS ECO Triple Convolution Air Actuator



Use in dotted range >350 mm only after consultation with ContiTech

## Purchase order data

Type	Order No.
ECO Rubber bellows only	75796
with dismantable plates, G1/2 air inlet	74230

Additional types on request



Service instructions  
M10: max. 25 Nm  
G1/2: max. 25 Nm

## Technical data

Min. pressure	0 bar
Return force to min height	≤ 250 N
Overall weight	6.9 kg

### Pneumatic application - static characteristic values

Force F [kN]								
Pressure p [bar]	3	4	5	6	7	8	Vol. V [l]	
Height H [mm]	350	9.76	13.2	16.7	20.5	24.3	28.4	17
	300	12.3	16.5	20.8	25.3	29.9	34.7	15
	250	14.4	19.3	24.2	29.4	34.5	39.9	13
	200	16.4	22	27.7	33.5	39.4	45.6	10
	150	18.8	25.1	31.4	37.8	44.2	50.7	7.2