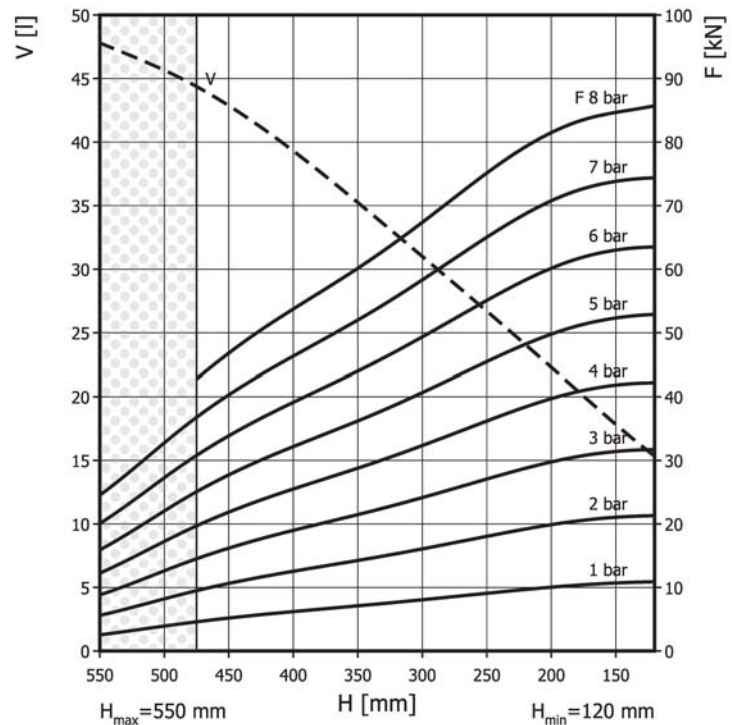
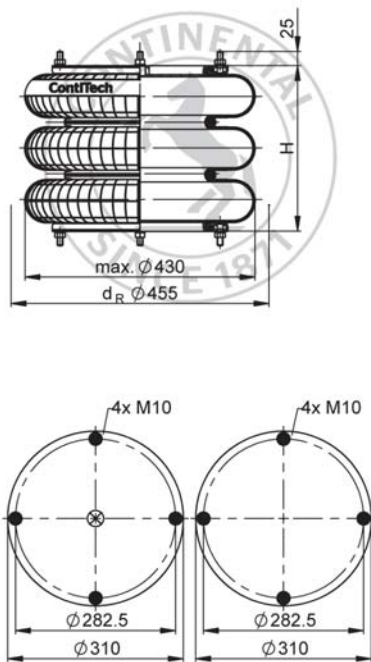


FT 816-40 DS ECO Triple Convolution Air Actuator



Use in dotted range >475 mm only after consultation with ContiTech

Purchase order data

Type	Order No.
ECO Rubber bellows only	75800
with dismantable plates, G1/2 air inlet	70769

Additional types on request



Service instructions
M10: max. 25 Nm
G1/2: max. 25 Nm

Technical data

Min. pressure	0 bar
Return force to min height	≤ 100 N
Overall weight	10.4 kg

Pneumatic application - static characteristic values

Force F [kN]

Pressure p [bar]	3	4	5	6	7	8	Vol. V [l]	
Height H [mm]	450	16.1	21.8	27.6	33.8	40.2	46.8	43
	400	19.1	25.6	32.3	39.3	46.5	53.8	39
	350	21.5	28.8	36.2	44	51.9	60	35
	300	24.1	32.2	40.5	49.2	58.2	67.4	31
	250	27.1	36.3	45.5	55.2	65.1	75.2	27
	200	29.8	39.7	49.8	60.1	70.8	81.5	22
	150	31.4	41.8	52.3	63	73.8	84.8	18