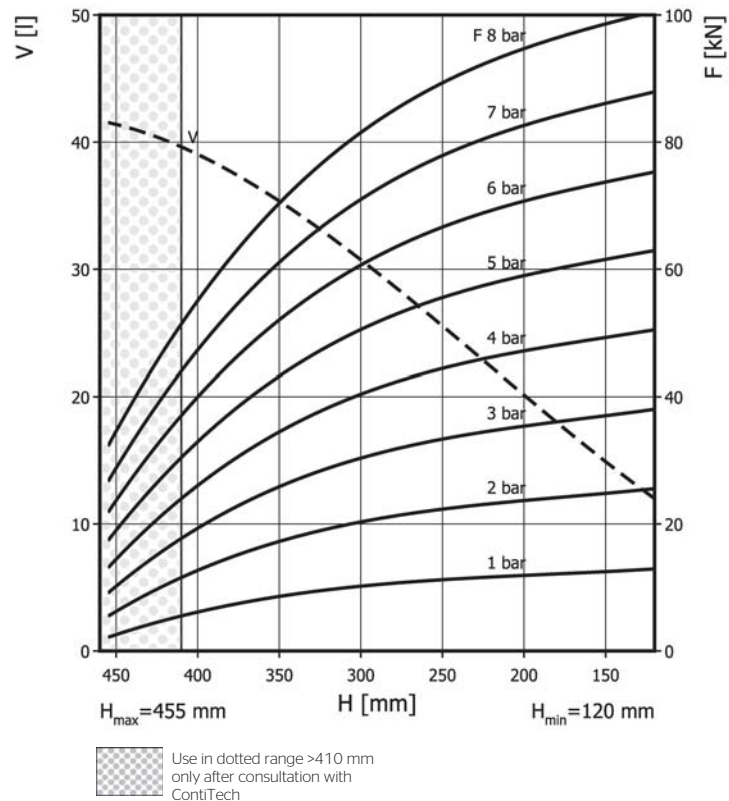
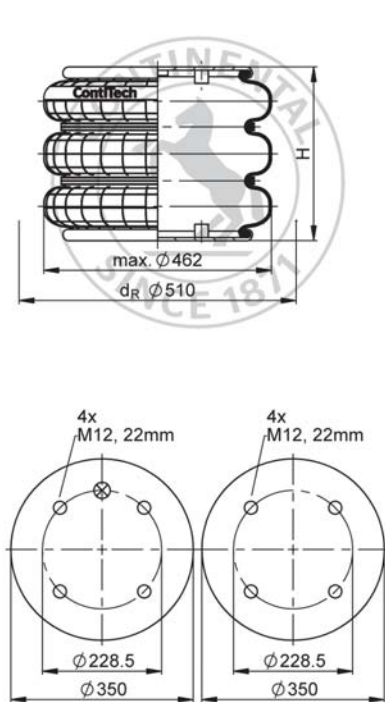


FT 960-34 CI ECO Triple Convolution Air Actuator



Purchase order data

Type	Order No.
ECO Rubber bellows only	74318
with crimped plates, G3/4 air inlet 114.3 mm excentrical	on request

Additional types on request



Service instructions
M12: max. 75 Nm
G3/4: max. 50 Nm

Technical data

Min. pressure	0 bar
Return force to min height	≤ 175 N
Overall weight	15.7 kg

Pneumatic application - static characteristic values

Force F [kN]

Pressure p	[bar]	3	4	5	6	7	8	Vol. V [l]
Height H [mm]	400	19.8	26.6	33.5	40.6	48	55.8	39
	360	24.8	33.1	41.5	50	58.8	67.8	36
	320	28.5	38	47.6	57.3	67.1	77.2	33
	280	31.4	41.8	52.4	62.9	73.6	84.5	29
	240	33.8	45	56.3	67.5	78.9	90.5	24
	200	35.6	47.3	59.1	70.8	82.8	94.8	20
	160	37	49.2	61.4	73.6	85.9	98.4	16