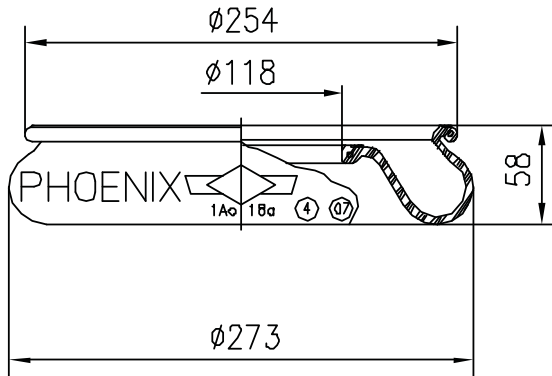


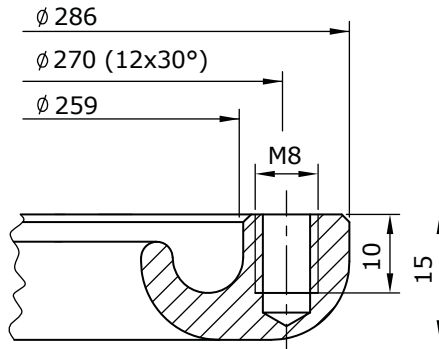
Product information

Cross-section view



Bead ring

Bead rings are not included.



Technical data

Loading capacity max. (8 bar)	32 kN
Max. lifting pressure	8.0 bar
Diameter max.	285 mm
Required space \emptyset	310 mm
Height max.	215 mm
Height min.	30 mm
Weight	0.87 kg
Force to collapse to min. height	

