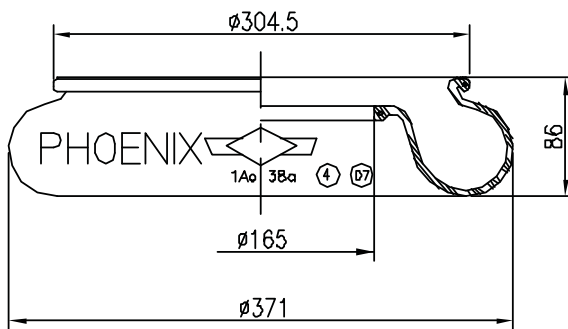


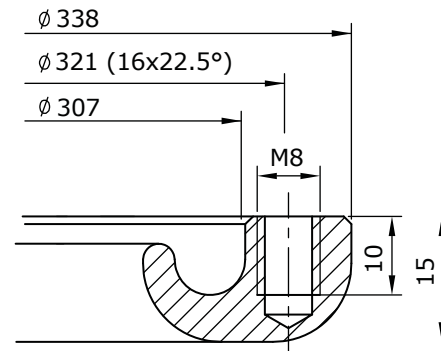
Product information

Cross-section view



Bead ring

Bead rings are not included.



Technical data

Loading capacity max. (8 bar)	53 kN
Max. lifting pressure	8.0 bar
Diameter max.	385 mm
Required space Ø	420 mm
Height max.	293 mm
Height min.	53 mm
Weight	1.95 kg
Force to collapse to min. height	

