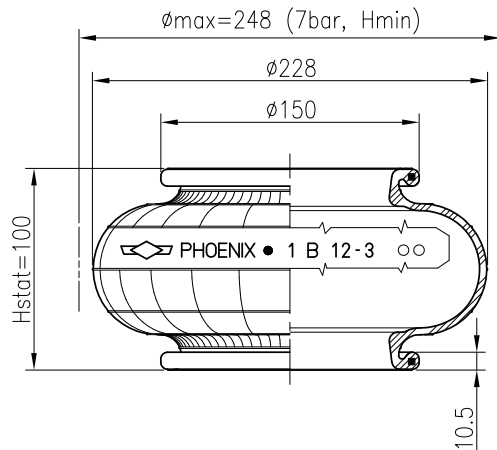


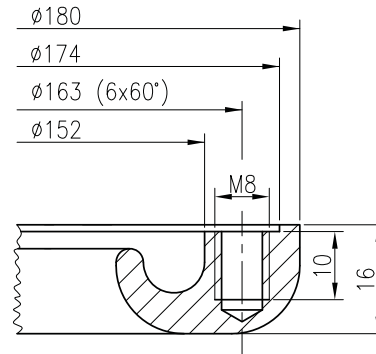
## Product information

## Cross sectionview



## Bead ring

Bead ring are not included.

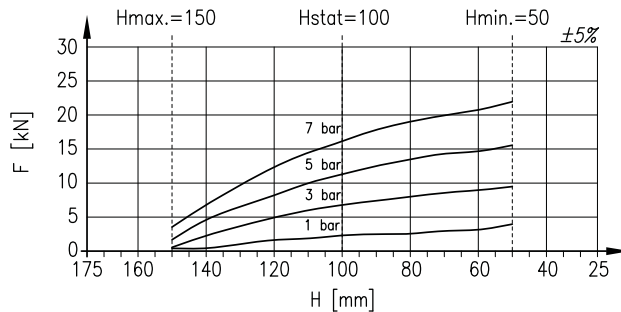


## Technical data

Loading capacity max.	17.30 kN
Max. lifting pressure	8.0 bar
Diameter max.	248 mm
Required space $\phi$	280 mm
Height max.	150 mm
Height min.	50 mm
Weight	0.63 kg
Force to collapse to min. height	

## DYNAMIC DATA

Static height 100 mm



PRESSURE bar	FORCE kN	SPRING RATE N/cm	NATURAL FREQU. Hz
1	2.2	977	3.20
3	7.3	1980	2.60
5	12.5	3030	2.50
7	17.3	4330	2.40