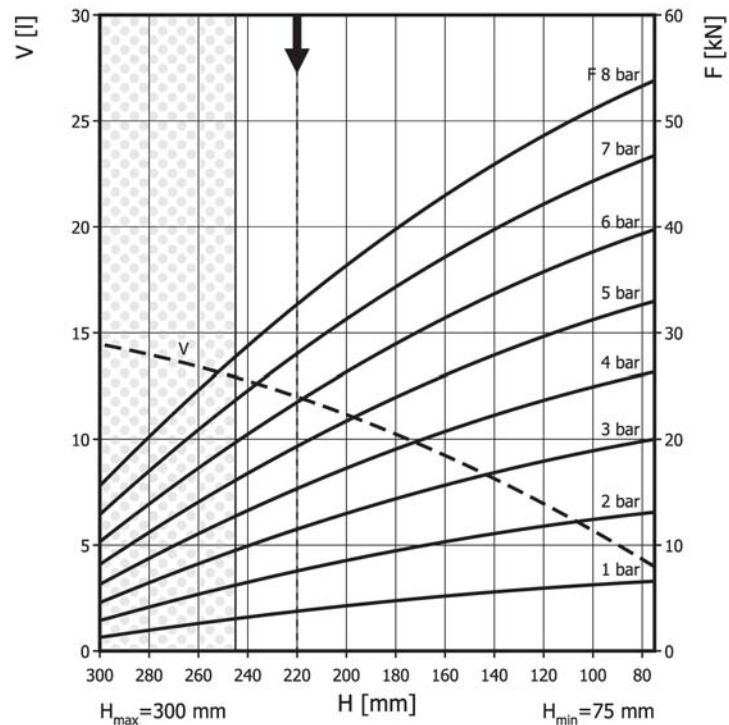
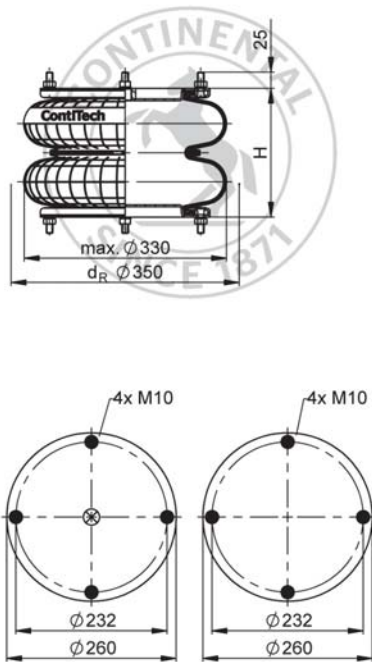


FD 412-18 DS

Double Convolution Air Actuator



Use in dotted range >245 mm only after consultation with ContiTech



Recommended height for vibration isolation: 220 mm

Purchase order data

Type	Order No.
Rubber bellows only	66318
with stainless steel dismountable plates, G1/2 air inlet	77188

Additional types on request


 Service instructions
M10: max. 25 Nm
G1/2: max. 25 Nm

Technical data

Min. pressure	0 bar
Return force to min height	≤ 250 N
Overall weight	6.6 kg

Vibration isolation - dynamic characteristic values

Design height H: recommended 220mm, minimum 200mm

Pressure p [bar]	3	4	5	6	7	8	Vol. V [l]
Force (Load) [kN]	1.2	16.3	20.4	24.5	28.7	32.9	
Spring rate [N/mm]	155	200	244	286.5	331	374	
Natural frequency [Hz]	1.8	1.8	1.7	1.7	1.7	1.7	

Pneumatic application - static characteristic values

Force F [kN]

Pressure p [bar]	3	4	5	6	7	8	Vol. V [l]	
Height H [mm]	250	9.38	12.5	15.8	19.4	23.2		27.2
	200	12.9	17.2	21.6	26.2	31.2	36.1	11
	150	15.9	21.1	26.5	32	37.9	44	8.5
	100	19.1	25.2	31.5	38	44.8	51.6	5.6