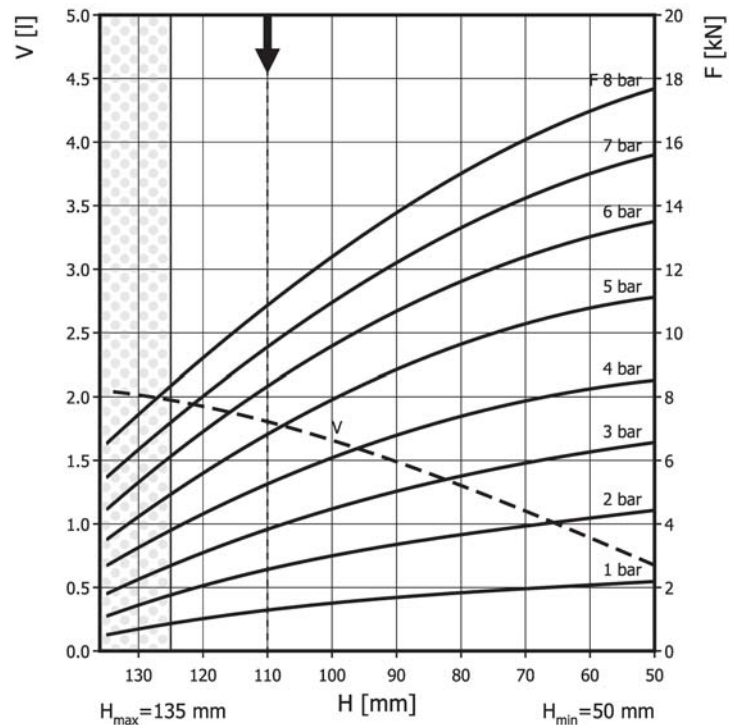
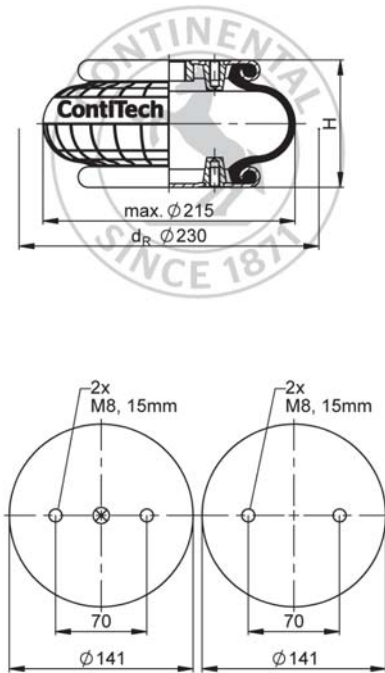


## FS 120-9 CI

## Single Convolution Air Actuator



Use in dotted range &gt;125 mm only after consultation with ContiTech



Recommended height for vibration isolation: 110 mm

## Purchase order data

Type	Order No.
Rubber bellows only	72994
with stainless steel crimped plates, G3/4 air inlet, 0 mm excentrical	63355

Additional types on request


 Service instructions  
 M8: max. 25 Nm  
 G3/4: max. 50 Nm

## Technical data

Min. pressure	0 bar
Return force to min height	≤ 200 N
Overall weight	2 kg

## Vibration isolation - dynamic characteristic values

Design height H: recommended 110mm, minimum 90mm

Pressure p [bar]	3	4	5	6	7	8	Vol. V [l]
Force (Load) [kN]	3.9	5.3	6.8	8.3	9.6	10.9	1.8
Spring rate [N/mm]	131.5	162	192.5	223	253.5	284	
Natural frequency [Hz]	2.9	2.8	2.7	2.6	2.6	2.6	

## Pneumatic application - static characteristic values

Force F [kN]

Pressure p [bar]	3	4	5	6	7	8	Vol. V [l]	
Height H [mm]	119.7	3.1	4.3	5.6	6.9	8	9.2	1.9
	110	3.86	5.28	6.84	8.28	9.6	10.9	1.8
	100	4.48	6.1	7.9	9.66	11	12.4	1.7
	90	5.01	6.8	8.9	10.8	12.2	13.8	1.5
	80	5.5	7.38	9.65	11.6	13.3	15	1.3
	70	5.9	7.87	10.3	12.3	14.2	16	1.1
	60	6.3	8.23	10.7	13	15	17	0.85