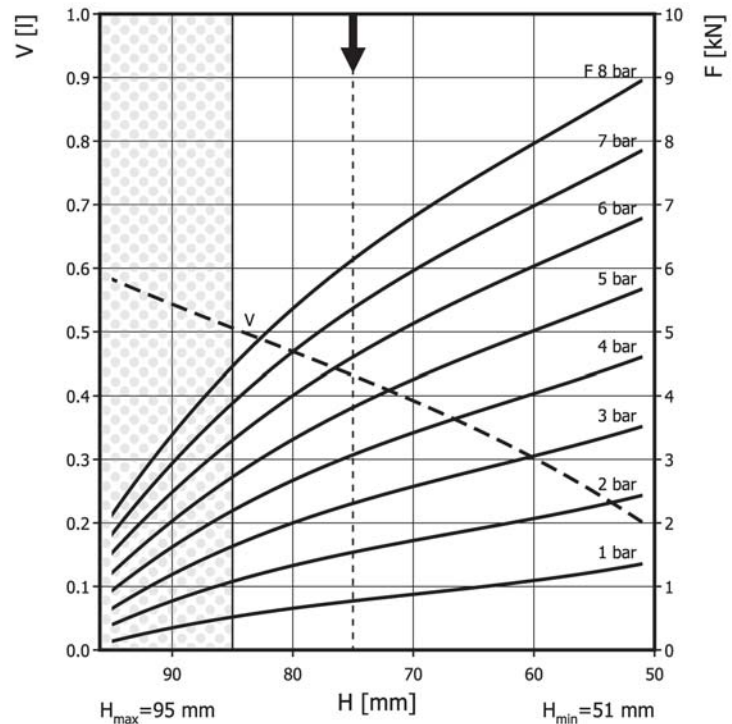
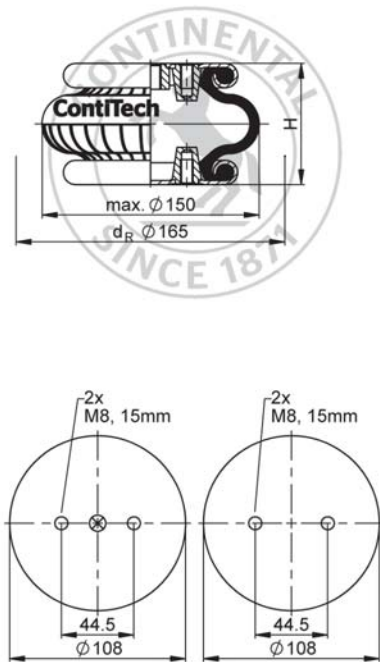


FS 50-5 CI

Single Convolution Air Actuator


 Use in dotted range >85 mm only
after consultation with ContiTech

 Recommended height for vibration
isolation: 75 mm

Purchase order data

Type	Order No.
Rubber bellows only	62242
with stainless steel crimped plates, G1/4 air inlet 0 mm excentrical	61745

Additional types on request


 Service instructions
M8: max. 25 Nm
G1/4: max. 25 Nm

Technical data

Min. pressure	0 bar
Return force to min height	≤ 250 N
Overall weight	1.2 kg

Vibration isolation - dynamic characteristic values

Design height H: recommended 75mm, minimum 65mm

Pressure p [bar]	3	4	5	6	7	8	Vol. V [l]
Force (Load) [kN]	2.3	3	3.8	4.6	5.3	6.1	
Spring rate [N/mm]	151	191	229	267	304	334	
Natural frequency [Hz]	3.9	3.8	3.7	3.7	3.6	3.6	

Pneumatic application - static characteristic values

Force F [kN]

Pressure p [bar]	3	4	5	6	7	8	Vol. V [l]	
Height H [mm]	80	1.99	2.66	3.33	4.02	4.68		5.35
	70	2.58	3.42	4.26	5.12	5.96	6.81	0.4
	60	3.06	4.04	5.02	6.02	6.99	7.98	0.3