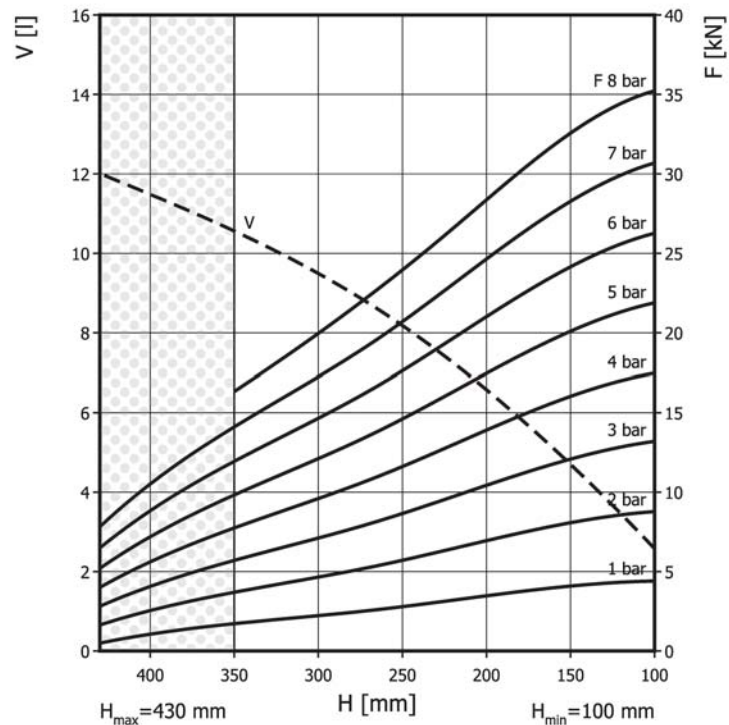
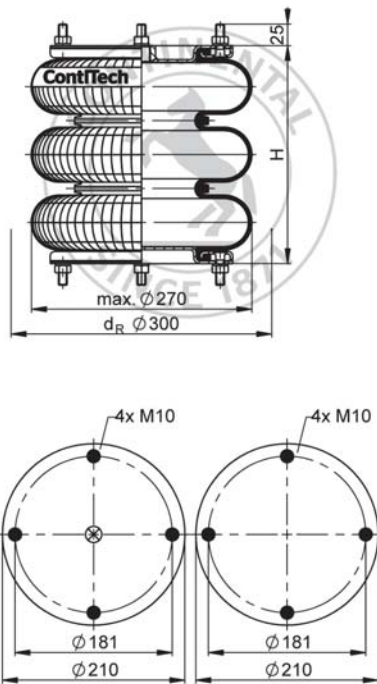


## FT 210-32 DS

## Triple Convolution Air Actuator



Use in dotted range >350 mm only after consultation with ContiTech

## Purchase order data

Type	Order No.
Rubber bellows only	66994
with stainless steel dismountable plates, G1/2 air inlet	77192

Additional types on request



Service instructions  
M10: max. 25 Nm  
G1/2: max. 25 Nm

## Technical data

Min. pressure	0 bar
Return force to min height	≤ 250 N
Overall weight	5.2 kg

## Pneumatic application - static characteristic values

Force F [kN]								
Pressure p [bar]	3	4	5	6	7	8	Vol. V [l]	
Height H [mm]	350	5.62	7.66	9.75	11.8	14	16.3	11
	300	7.1	9.56	12	14.5	17.1	19.8	9.5
	250	8.62	11.6	14.6	17.6	20.7	24	8.2
	200	10.3	13.8	17.3	20.8	24.4	28.3	6.6
	150	12.1	16.1	20.1	24.2	28.3	32.6	4.7