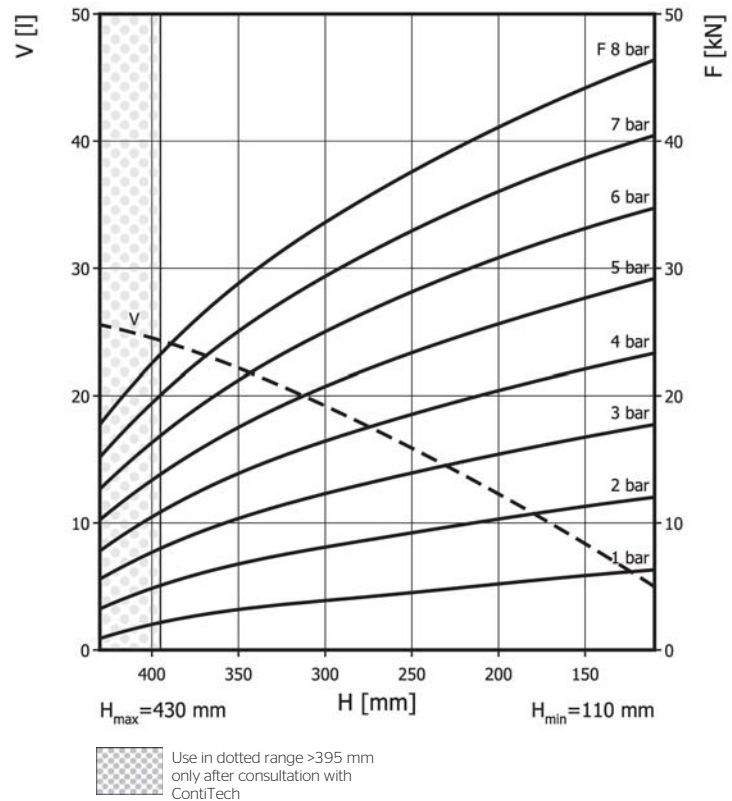
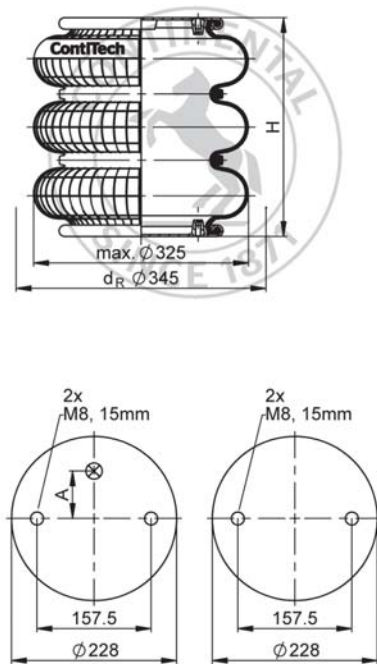


FT 330-29 CI

Triple Convolution Air Actuator



Purchase order data

Type	Order No.
Rubber bellows only	61833
with stainless steel crimped plates, G1 air inlet (A) 73 mm excentrical	62292

Additional types on request



Service instructions
M8: max. 25 Nm
G1: max. 50 Nm

Technical data

Min. pressure	0 bar
Return force to min height	≤ 400 N
Overall weight	5.9 kg

Pneumatic application - static characteristic values

Force F [kN]

Pressure p [bar]	3	4	5	6	7	8	Vol. V [l]
Height H [mm]							
380	8.75	11.9	15.1	18.4	21.7	25.1	24
340	10.7	14.4	18.2	22	25.9	29.8	22
300	12.3	16.5	20.8	25.1	29.4	33.7	19
260	13.7	18.2	22.9	27.6	32.3	36.9	17
220	14.8	19.5	24.6	29.6	34.6	39.5	14
180	15.9	21.1	26.5	31.8	37.2	42.4	11
140	16.9	22.4	28.1	33.6	39.1	44.7	7.5