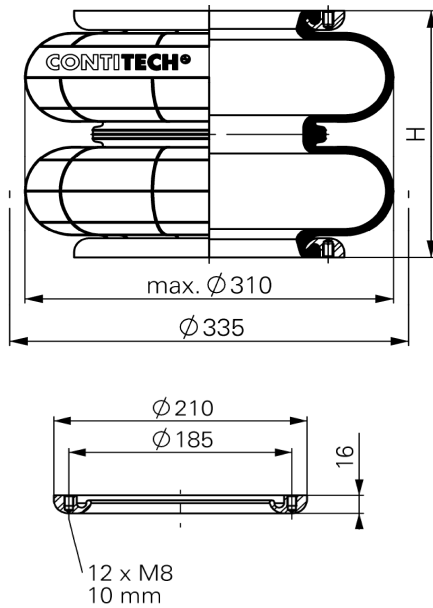
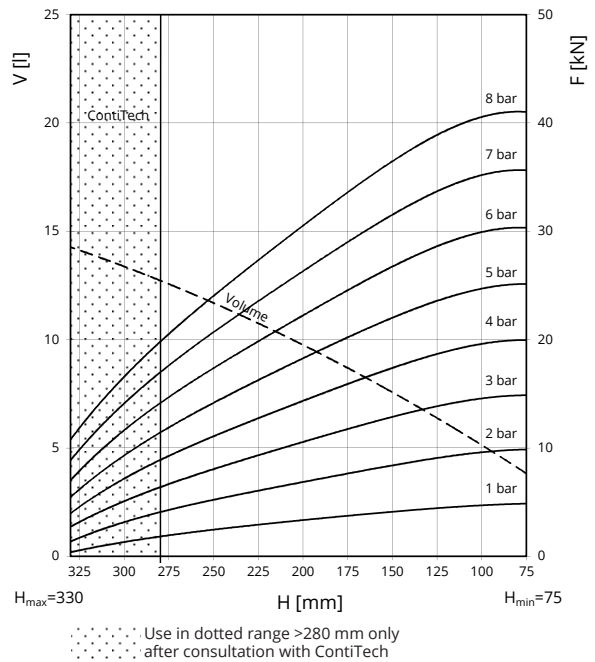


# VP 608M


**Force-displacement curves**

**Purchase order data**

Type	Order No.
Rubber bellows only	52060
Bellows with beaded rings	61524

**Technical data**

Min. pressure	0 bar
Return force to min height	≤ 400 N
Total weight, with rubber bellows	5,0 kg

**Pneumatic application - static characteristic values**

Force F [kN]

Pressure p	[bar]	3	4	5	6	7	8	Vol. V [l]
Height H [mm]	280	6.4	8.9	11.4	14.1	17.0	19.8	12.7
	220	9.6	13.1	16.6	20.3	24.1	27.9	10.6
	160	12.5	16.8	21.4	26.0	30.7	35.5	8.0
	100	14.6	19.6	24.6	29.8	35.1	40.4	5.1


 Service instructions  
 M8: max. 25 Nm

**Measuring procedure:** Room temperature / Force-height-data quasistatic / Dynamic data at 1 Hz