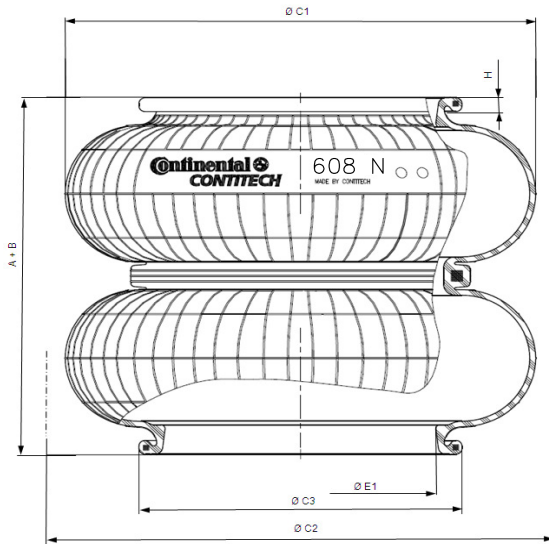
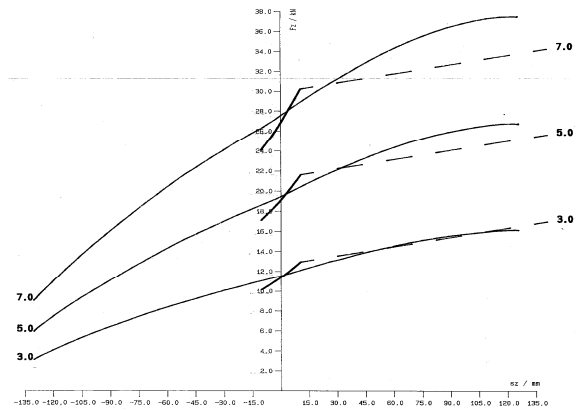


VP 608N



Force-displacement curves



Purchase order data

Type	Order No.
Rubber bellows only	52060
Bellows with beaded rings	61524

Technical data

Min. pressure	0 bar
Return force to min height	≤ 1100 N
Total weight, with rubber bellows	2,2 kg
Total weight, with bellows with beaded rings	3.3 kg
A Min. height	75 mm
B Max. stroke	255 mm
C1 Max. diameter	300 mm
C2 Required installation space	325 mm
C3 Bead diameter	170 mm
E1 Ø Sealing and mounting surface inside	135,5 mm
H Bead height	10,2 mm
Maximum load (7bar / 85mm)	34,5 kN
Max. pressure for lifting operations	8 bar

Remarks

Only use bead rings suitable for the bellows. In the case of unsuitable bead rings, there is a risk of injury and/or damage!

Test conditions: room temperature / force / displacement data quasi-static

VP 608N replacement for Phoenix 2 B20 R