

# PHOENIX

## ALIVIO 2000

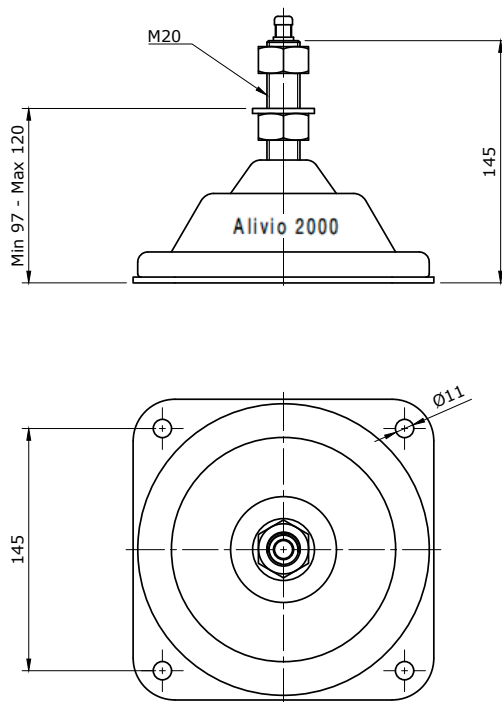
- ✓ Low system frequency
- ✓ High internal damping
- ✓ Load independant at application range up to 5000 N
- ✓ Limited displacements in all directions
- ✓ Low ratio in stiffness lateral - vertical



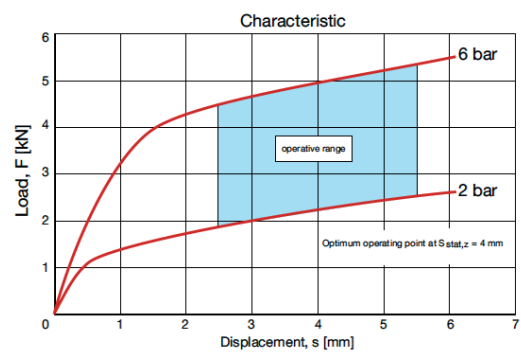
### Product information

ALIVIO 2000 is an air cushioned Megi-machine mount. Its superior advantages are applicable in a wide variety of different applications. The displacement under static load can be adjusted to an optimal operating point by regulation of the air pressure. The low vertical stiffness is nearly constant over a wide range of pressure. Critical resonance speed approximately 150 rpm. High vibration isolation degree from idle till maximum engine speed.

### Installation Dimensions



### Static Stiffness Curves



**PHOENIX**  
PHOENIX VIBRATION CONTROLS B.V.

ORDER DIRECTLY? MORE INFORMATION ON THIS PRODUCT OR INTERESTED IN OUR EFFICIENT CUSTOM MADE SOLUTIONS?

CALL +31(0)187 493744 OR SEND AN E-MAIL TO [INFO@PHOENIXVC.NL](mailto:INFO@PHOENIXVC.NL)