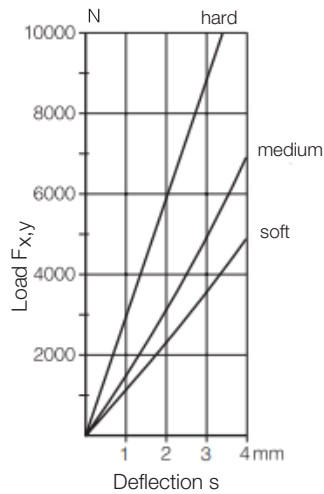
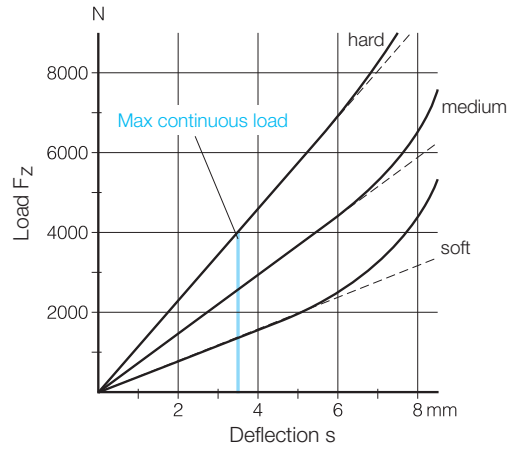
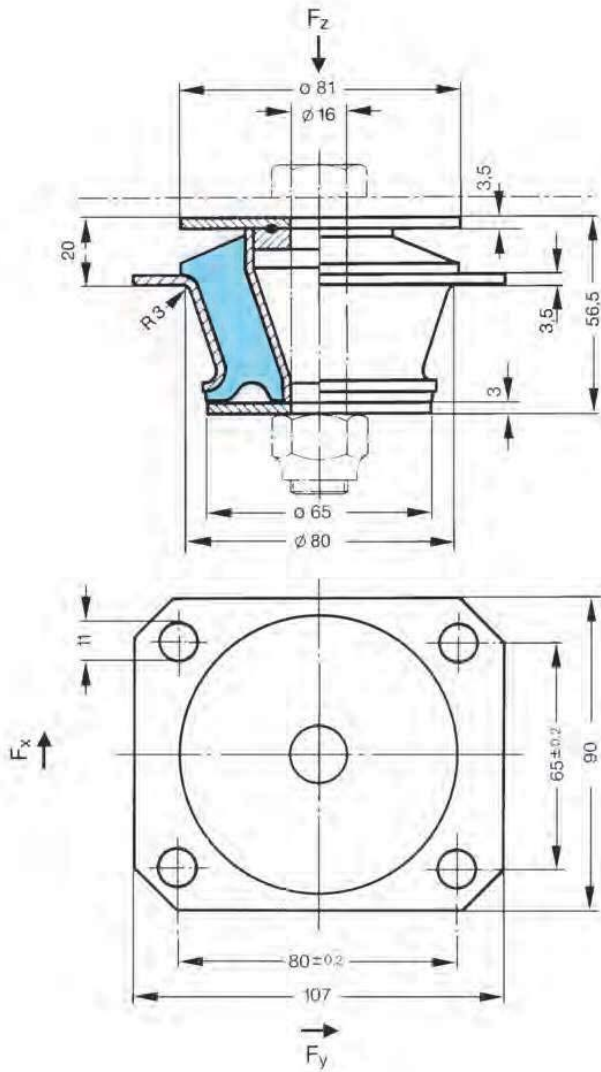


MEGI®-Cones

Megi cone
Part No. 786 026 S1
Versions:
 hard, medium, soft



Other dimensions and materials are available on request

Max. tension force of central threaded mount on inner section of cone $F_v = 50$ kN.