

AIRSPRING

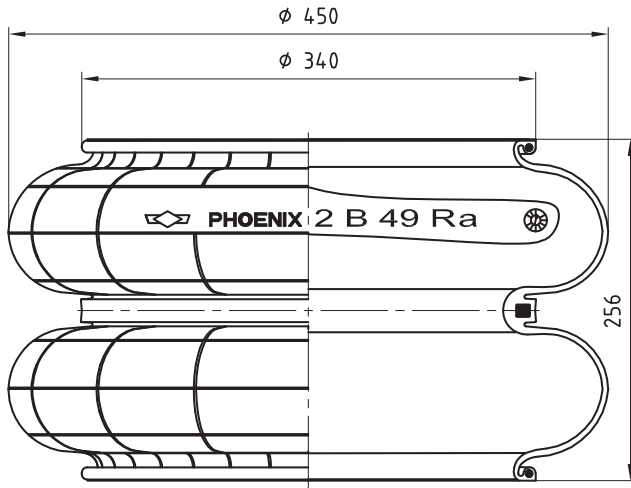
2 B 49 Ra

PHOENIX

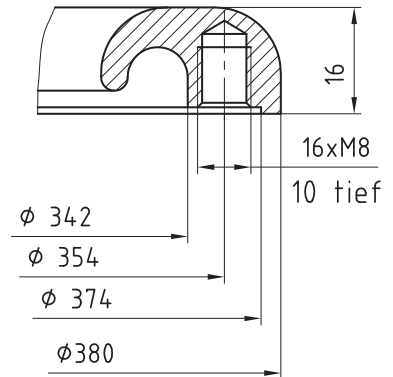
Product information

Cross-section view

Bead ring

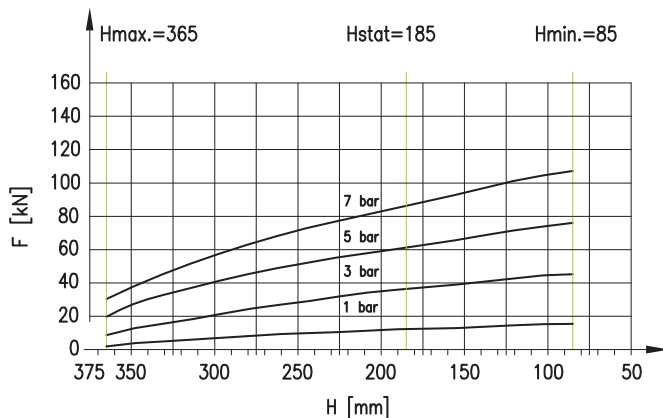


Bead ring are not included.



Technical data

Loading capacity max. (7 bar)	86.50 kN
Max. lifting pressure	8.0 bar
Diameter max.	476 mm
Required space Ø	505 mm
Height max.	365 mm
Height min.	85 mm
Weight	3.75 kg
Force to collapse to min. height	



DYNAMIC DATA

Static height 185 mm

PRESSURE bar	FORCE kN	SPRING RATE N/cm	NATURAL FREQU. Hz
1	12.2	2501	2.04
3	36.5	4541	1.75
5	60.8	6952	1.68
7	86.5	9588	1.65

PHOENIX
PHOENIX VIBRATION CONTROLS B.V.

ORDER DIRECTLY? MORE INFORMATION ON THIS PRODUCT OR INTERESTED IN OUR EFFICIENT CUSTOM MADE SOLUTIONS?

CALL +31(0)187 493744 OR SEND AN E-MAIL TO INFO@PHOENIXVC.NL