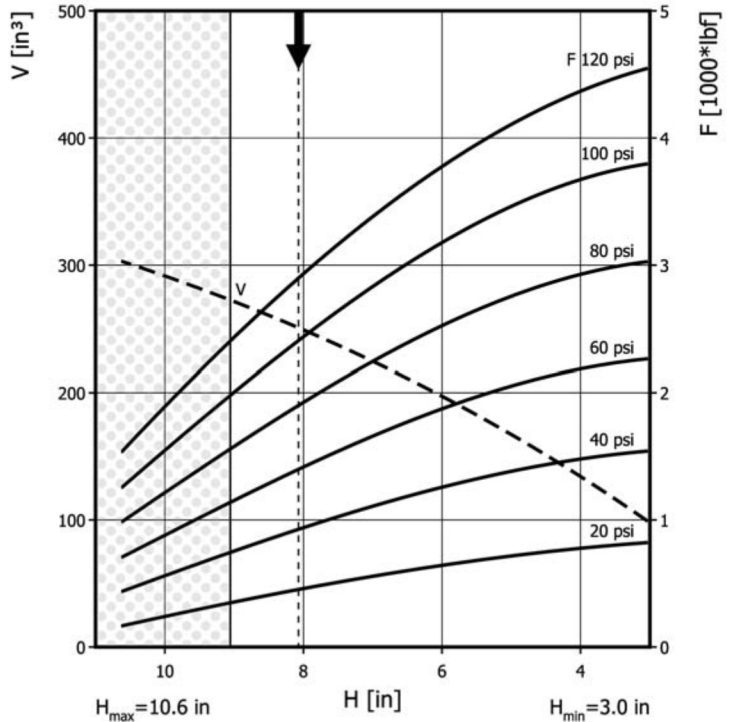
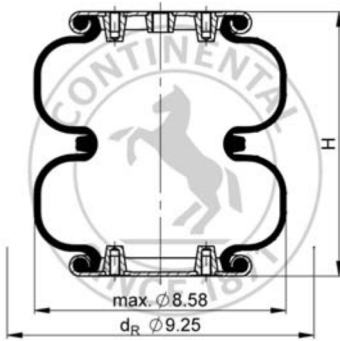


FD 120-20 ECO

Double Convolution Air Actuator



Serviceinstructions
 3/8-16 UNC: 27 Nm
 1/4-18 NPT: 27 Nm

Use in dotted range >9.06 in. only after consultation with ContiTech

Recommended height for vibration isolation: 8.07in.

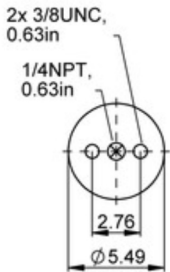
Purchase order data

Technical data

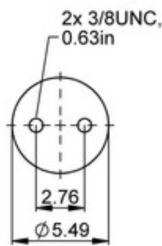
Type	Order No.
ECORubber bellows only	-
with clamped plates,	79203

Min. pressure	0 bar
Return force to min height	≤ 200 N
Overall weight with clamped plates	2.8 kg

Top Plate



Bottom Plate



Air Spring Systems | 17/07/2019

Measuringprocedure: Room temperature / Force-height-data quasistatic / Dynamic data at 1 Hz