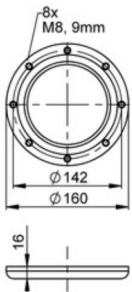
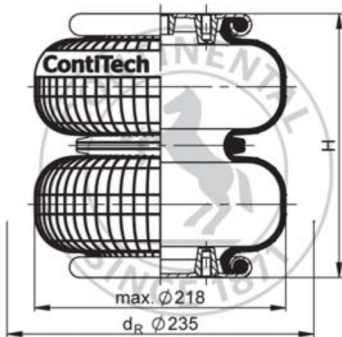
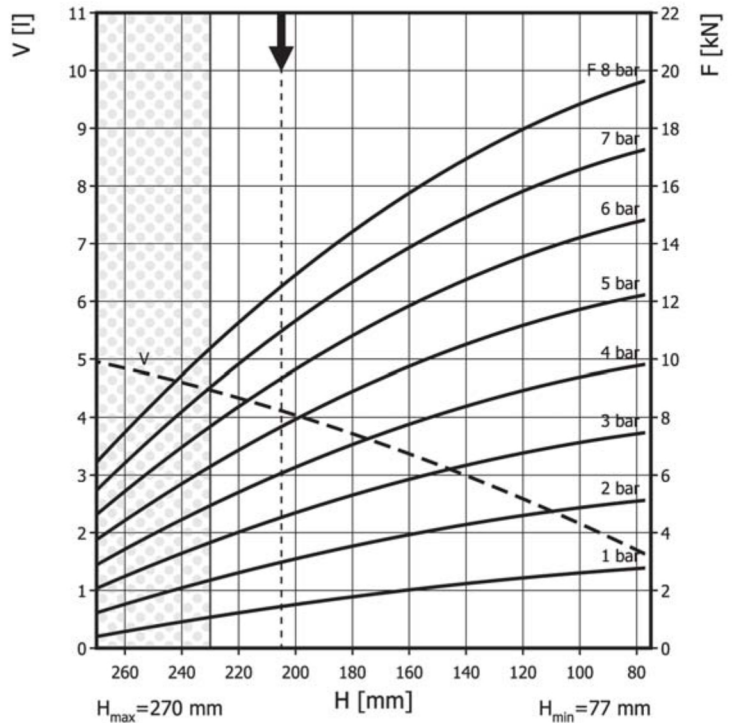


FD 120-20 RI ECO Double Convolution Air Actuator



Service instructions
M8: 25 Nm



Use in dotted range >230 mm only after consultation with ContiTech

Recommended height for vibration isolation: 205 mm

Purchase order data

Type	Order No.
ECOrubber bellows only	75781
with aluminium bead rings	70291

Technical data

Min. pressure	0 bar
Return force to min height	≤ 200 N
Overall weight with clamped plates	2.1 kg