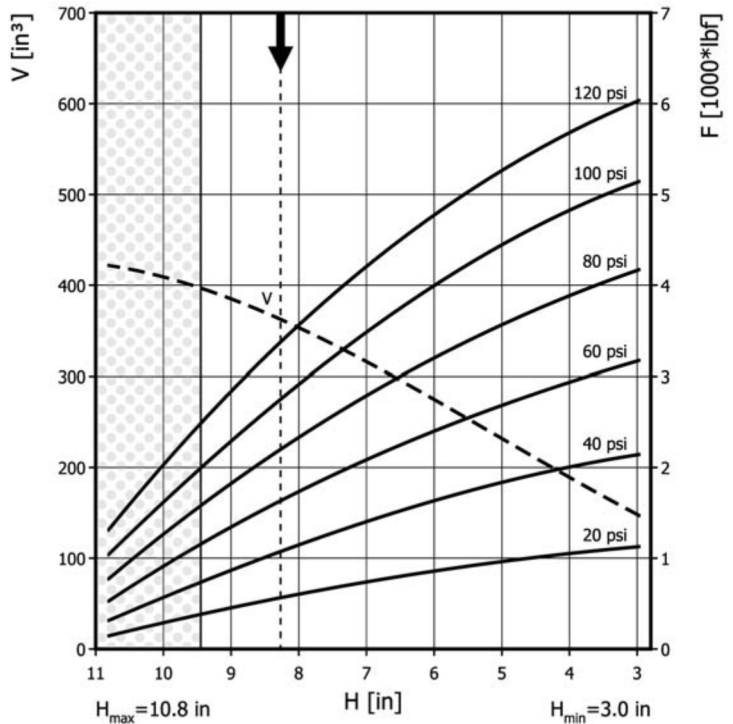
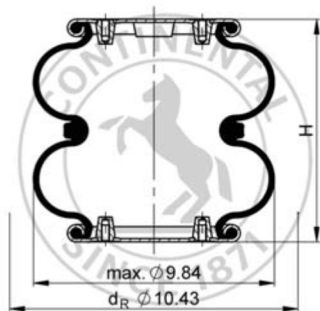


# FD 200-19 CI ECO Double Convolution Air Actuator



Service instructions  
 3/8-16 UNC: 27 Nm  
 1/4-18 NPT: 27 Nm

Use in dotted range >9.45 in. only after consultation with ContiTech

Recommended height for vibration isolation: 8.27 in.

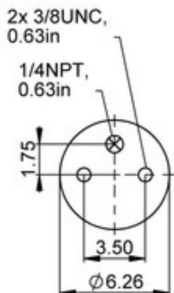
### Purchase order data

Type	Order No.
ECORubber bellows only	62178 & 75784
with clamped plates,	73209

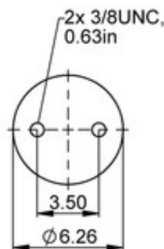
### Technical data

Min. pressure	0 bar
Return force to min height	≤ 200 N
Overall weight with clamped plates	3.3 kg

### Top Plate



### Bottom Plate



Air Spring Systems | 22/02/2019

Measuring procedure: Room temperature / Force-height-data quasistatic / Dynamic data at 1 Hz