

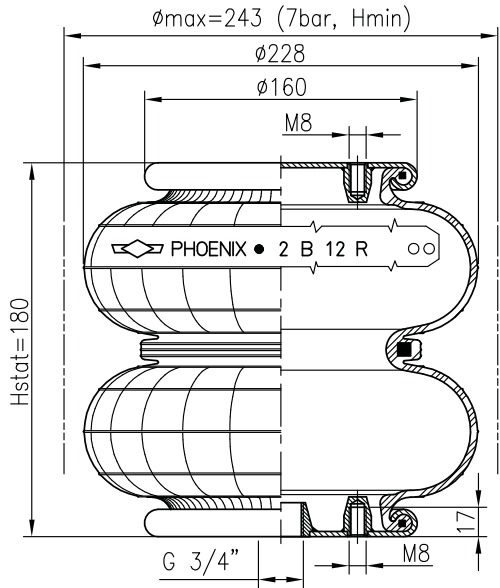
AIRSPRING

SP 2 B 12 R1

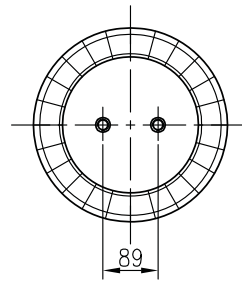


Product information

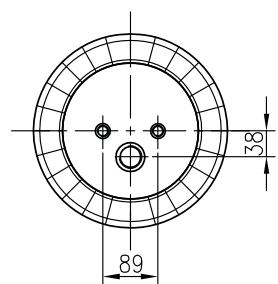
Cross sectionview



Top view



Bottom view



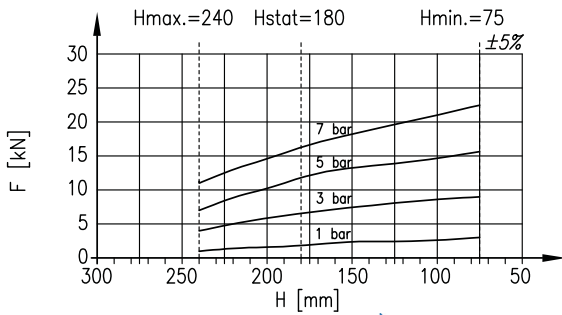
	M8
Nm	15
LB-FT	11

Technical data

Loading capacity max. (7 bar)	15.90 kN
Max. lifting pressure	8.0 bar
Diameter max.	243 mm
Required space ϕ	270 mm
Height max.	240 mm
Height min.	75 mm
Weight	2.95 kg
Force to collapse to min. height	

DYNAMIC DATA

Static height 180 mm



PRESSURE bar	FORCE kN	SPRING RATE N/cm	NATURAL FREQU. Hz
1	2.1	447	2.27
3	6.6	951	1.88
5	11.2	1486	1.80
7	15.9	1964	1.75



ORDER DIRECTLY? MORE INFORMATION ON THIS PRODUCT OR INTERESTED IN OUR EFFICIENT CUSTOM MADE SOLUTIONS?

CALL +31(0)187 493744 OR SEND AN E-MAIL TO INFO@PHOENIXVC.NL